

ASE Automobile Tests



Also Includes Exhaust Systems (X1) Test



National Institute for
**AUTOMOTIVE
SERVICE
EXCELLENCE**

ASE AUTOMOBILE TESTS

Contents

Introduction 3

Automobile Tests

- Engine Repair (A1) 5
- Automatic Transmission/Transaxle (A2) 10
- Manual Drive Train and Axles (A3) 15
- Suspension and Steering (A4) 20
- Brakes (A5) 26
- Electrical/Electronic Systems (A6) 32
- Heating and Air Conditioning (A7) 38
- Engine Performance (A8) 43
- Light Vehicle Diesel Engines (A9) 49

Specialty Test

- Exhaust Systems (X1) 55

Test Prep & Training 59



INTRODUCTION

Use this *Official ASE Study Guide* to prepare for the ASE Certification tests in the Automobile (Tests A1-A9) series and for the Undercar Specialist Exhaust Systems (X1) test. This document contains general information, Test Specifications, Task Lists, sample questions, and test preparation resources for these ASE tests.

The following tests are covered by this guide:

- Engine Repair (A1) *
- Automatic Transmission/Transaxle (A2) *
- Manual Drive Train and Axles (A3) *
- Suspension and Steering (A4) *
- Brakes (A5) *
- Electrical/Electronic Systems (A6) *
- Heating and Air Conditioning (A7) *
- Engine Performance (A8) *
- Light Vehicle Diesel Engines (A9)
- Exhaust Systems (X1) #

* Required for recognition as an ASE Master Automobile Technician

To register for X1, must be currently certified in A4 and A5 and meet the work experience requirement. After passing the test, you will be recognized as an ASE Undercar Specialist.

The Test Specification in this study guide is determined by working professionals and technical experts and lists the main content covered by the test and the number of test questions devoted to each topic.

The Task List for this test is developed by working professionals and technical experts, and it spells out the technical knowledge and skills required for success on this test. The Task List provides a valuable checklist of what you should know. Every question on the test represents one or more of these tasks, although some tasks may not appear on the version of the test that you see. To improve chances of success, use the Task List to identify weak areas and to select learning resources.

The sample questions show the several types of multiple-choice question formats used on actual ASE test. Some questions have special instructions; those same instructions will appear with similar questions on the ASE tests.

The Automobile series (Tests A1-A9) have a special feature for Spanish-speaking technicians. Click on the “Leer en español” button to call up a side-by-side Spanish/English rendering of the question and answer options. No special registration process is needed. You can find more information on this option at www.ase.com/spanish. In addition, a pop-up Spanish/English glossary can be accessed during all ASE tests.

ASE certification requires successful completion of the test and documentation of relevant work experience. Appropriate vocational training may count toward the work experience requirement. Visit workexp.ase.com/FormInstr.aspx for more details.

For more information about ASE tests in general and the ASE Certification process, download *ASE Certification: Need to Know* at www.ase.com/ase-study-guide

See page 4 for numbers of questions and testing times for individual tests.

INTRODUCTION (CONTINUED)

How Long are the Tests?

Automobile/Light Truck Tests		Certification Tests		Recertification Tests	
	Name	Number of questions	Testing time	Number of questions	Testing time
A1	Engine Repair	60 total/50 scored*	75 mins	25	30 mins
A2	Automatic Transmission/Transaxle	60 total/50 scored*	75 mins	25	30 mins
A3	Manual Drive Train and Axles	50 total/40 scored*	60 mins	20	30 mins
A4	Suspension and Steering	50 total/40 scored*	60 mins	20	30 mins
A5	Brakes	55 total/45 scored*	75 mins	23	30 mins
A6	Electrical/Electronic Systems	60 total/50 scored*	90 mins	25	45 mins
A7	Heating and Air Conditioning	60 total/50 scored*	75 mins	25	30 mins
A8	Engine Performance	60 total/50 scored*	75 mins	25	45 mins
A9	Light Vehicle Diesel Engines	60 total/50 scored*	75 mins	25	30 mins
	Specialty Test				
X1	Exhaust Systems	50 total/40 scored*	60 mins	20	30 mins

* To gather the performance statistics required for use in the scored section of future tests, each CERTIFICATION test contains 10 questions that are not counted for score. Since you don't know which questions those are, you need to answer every question. You must have passed the corresponding CERTIFICATION test once to be eligible for the shorter RECERTIFICATION test.

TEST SPECIFICATIONS AND TASK LIST ENGINE REPAIR (TEST A1)

Content Area	Questions in Test	Percentage of Test
A. General Engine Diagnosis	15	30%
B. Cylinder Head and Valve Train Diagnosis and Repair	10	20%
C. Engine Block Diagnosis and Repair	10	20%
D. Lubrication and Cooling Systems Diagnosis and Repair	8	16%
E. Fuel, Electrical, Ignition, and Exhaust Systems Inspection and Service	7	14%
Total	50	100%

A. General Engine Diagnosis (15 questions)

1. Verify customer concern and/or road test vehicle; determine needed action.
2. Research system operation using technical service information to determine service procedures and specifications.
3. Determine if no-crank, crank/no-start, or hard start condition is an engine mechanical problem or is caused by another vehicle subsystem.
4. Inspect engine assembly for fuel, oil, coolant and other leaks; determine needed action.
5. Isolate engine noises and vibrations; determine needed action.
6. Diagnose the cause of excessive oil consumption and/or coolant consumption, diagnose the cause of unusual engine exhaust color and odor; determine needed action.
7. Perform engine manifold vacuum or pressure tests; interpret test results; determine needed action.
8. Perform cylinder power balance tests; interpret test results; determine needed action.
9. Perform cylinder cranking, relative, and running compression tests; ; interpret test results; determine needed action.
10. Perform cylinder leakage/leak-down tests; interpret test results; determine needed action.
11. Inspect and test positive crankcase ventilation (PCV) system components; interpret test results; determine needed action.
12. Diagnose engine mechanical, electrical, electronic, fuel, and ignition problems with an oscilloscope, digital multimeter (DMM), and/or scan tool; determine needed action.

B. Cylinder Head and Valve Train Diagnosis and Repair (10 questions)

1. Remove cylinder heads; clean, and prepare for inspection.
2. Visually inspect cylinder heads for cracks, warpage, corrosion, leakage, and the condition of passages; determine needed repairs.
3. Inspect valves and valve seats; determine needed repairs.
4. Inspect, test, and verify valve springs for squareness; perform free height comparison; determine needed repairs.
5. Inspect valve spring retainers, rotators, valve locks, and valve lock grooves; determine needed repairs.
6. Replace valve stem seals.
7. Inspect valve guides for wear; check valve stem-to-guide clearance; determine needed repairs.
8. Check valve spring installed (assembled) height uniformity; check valve stem height uniformity; determine needed repairs.

A1 TASK LIST (CONTINUED)

9. Inspect pushrods, rocker arms, rocker arm pivots, and rocker arm shafts for wear, bending, cracks, looseness, and blocked oil passages; repair or replace as required.
10. Inspect hydraulic or mechanical lifters/lash adjusters; replace as needed.
11. Adjust valves on engines with mechanical or hydraulic lifters.
12. Inspect camshaft drive gear train components (includes gear(s), chain(s), tensioner(s), guide(s) and belt systems); repair or replace as needed.
13. Inspect camshaft journals and lobes; measure camshaft lift; determine needed repairs.
14. Inspect camshaft bore (caps and pedestal) for wear, damage, out-of-round, and alignment; determine needed repairs.
15. Inspect valve timing; time camshaft(s) to crankshaft.
16. Inspect cylinder head mating surface condition and finish, reassemble and install gasket(s) and cylinder head(s); replace/torque bolts according to manufacturer's procedures.
17. Inspect overhead camshaft variable valve timing (VVT) components; repair or replace as needed.
18. Inspect variable valve lift (VVL) components; repair or replace as needed.
19. Inspect, clean, replace, and/or reinstall fasteners; torque fasteners; inspect and repair damaged threads.
20. Inspect core and gallery plugs; determine needed action.

C. Engine Block Diagnosis and Repair (10 questions)

1. Remove and disassemble engine block; identify and mark the location and orientation of parts; clean and prepare components for inspection; determine needed action.
2. Visually inspect engine block for cracks, corrosion, condition of passages, and condition of core and gallery plug hole(s), inspect surfaces for warpage, finish, and condition; determine needed action.
3. Inspect, clean, replace, and/or reinstall fasteners; torque fasteners; inspect and repair damaged threads.
4. Inspect piston oil cooling nozzle/jets for damage, proper alignment, and restrictions; determine needed action.
5. Replace core and gallery plugs.
6. Clean and inspect cylinder walls; measure cylinder bore; determine needed action.
7. Inspect crankshaft for endplay, journal damage, keyway damage, visual surface cracks, and condition of thrust flange and sealing surface; check oil passage condition; measure journal wear; check crankshaft reluctor ring/tone wheel (where applicable); determine needed action.
8. Inspect main bearing wear patterns; inspect and measure main bearing bore and cap alignment; mark caps for location and orientation.
9. Install main bearings and crankshaft; check bearing clearances and endplay.
10. Inspect camshaft drive gear train components (includes gear(s), chain(s), tensioner(s), guide(s) and belt systems); repair or replace as needed.
11. Inspect camshaft journals and lobes; measure camshaft lift; determine needed repairs.
12. Inspect camshaft bore for wear, damage, out-of-round, and alignment; determine needed repairs.
13. Inspect auxiliary (balance, intermediate, idler, counterbalance, or silencer) shaft(s), drive(s)/gear(s), chain(s), belt(s), and support bearings for damage and wear; time balance shaft to crankshaft; determine needed action.
14. Inspect, measure, service, or replace pistons and piston/wrist pins; identify piston and bearing wear patterns; determine needed action.
15. Inspect connecting rods and bearings for damage, bore condition, and pin fit; mark caps for location and orientation; determine needed action.
16. Inspect, measure, adjust, install, and/or replace piston rings; assemble piston and connecting rod; install piston/rod assembly; check bearing clearance and side play; install connecting rod bearings.
17. Inspect, reinstall, or replace crankshaft vibration damper/harmonic balancer.
18. Inspect crankshaft flange and flywheel mating surfaces; inspect and replace crankshaft pilot bearing/bushing (if applicable); inspect flywheel/flexplate and flywheel ring gear for cracks and wear (includes dual-mass flywheel); measure flywheel runout; determine needed action.
19. Inspect and replace pans and covers.

A1 TASK LIST (CONTINUED)

20. Assemble the engine using gaskets, seals, formed-in-place (tube-applied) sealants, and thread sealers according to manufacturer's specifications.
21. Inspect in-block camshaft variable valve timing (VVT) components; repair or replace as needed.
22. Inspect cylinder deactivation system; determine needed action.
23. Assemble and install/reinstall engine; prime lubrication system as needed.

D. Lubrication and Cooling Systems Diagnosis and Repair (8 questions)

1. Diagnose engine lubrication system problems; perform engine oil pressure tests; determine needed action.
2. Perform engine oil leak tests; determine needed action.
3. Inspect engine oil pump (includes gears, rotors, housing, and pick-up assembly); inspect pressure relief devices, control systems, and pump drive (includes belt/chain drive); determine needed action.
4. Inspect, flush, and test internal and external engine oil coolers; determine needed action.
5. Change engine oil and filter(s) using proper type, viscosity, and rating per manufacturer's specifications.
6. Diagnose engine cooling system problems; perform cooling system pressure and leak tests; determine needed action.
7. Inspect and test radiator, heater core, pressure cap, and coolant recovery system; replace as required.
8. Inspect and replace engine cooling system and heater system coolant hoses, pipes, fittings and valves.
9. Inspect, test, reinstall or replace engine cooling system thermostat, coolant by-pass, and thermostat housing (including electronically controlled thermostats).
10. Inspect and replace engine water/coolant pump(s) (including electrical water/coolant pumps).
11. Inspect and test engine coolant; drain, flush, and refill cooling system(s) with recommended coolant; bleed air as required.
12. Inspect and test engine cooling fan (both electrical and mechanical), fan clutch, fan shroud, air dams, shutters, and electrical circuits; repair or replace as required.
13. Inspect, test, reinstall, and/or replace pulleys, tensioners, and drive belts; adjust belts and check alignment.

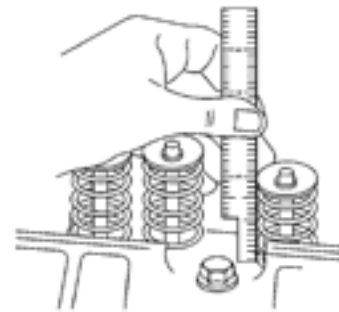
E. Fuel, Electrical, Ignition, and Exhaust Systems Inspection and Service (7 questions)

1. Diagnose engine problems caused by faults in the fuel system; determine needed action.
2. Inspect, test, repair and/or replace components of the fuel system.
3. Diagnose engine problems caused by faults in the air induction system; determine needed action.
4. Inspect, test, repair and/or replace components of the air induction system.
5. Diagnose engine problems caused by faults in the electrical system; determine needed action.
6. Inspect, test, repair and/or replace components of the electrical system.
7. Diagnose engine problems caused by faults in the ignition system; determine needed action.
8. Inspect, test, repair and/or replace components of the ignition system.
9. Diagnose engine problems caused by faults in the exhaust system; determine needed action.
10. Inspect, test, repair and/or replace components of the exhaust system. □

SAMPLE QUESTIONS

ENGINE REPAIR (TEST A1)

1. An engine makes a knocking noise with the transmission in DRIVE. The knocking noise is not heard in PARK or NEUTRAL. Which of these could be the cause?
 - (A) Excessive main bearing clearance
 - (B) Low oil pressure
 - * (C) A cracked flexplate
 - (D) A broken piston ring
2. An engine is overheating and has white smoke coming from the tail pipe. The cooling system is pressure tested and will not hold pressure. This could be caused by:
 - * (A) a blown head gasket.
 - (B) a restricted piston oil nozzle.
 - (C) a stuck-open thermostat.
 - (D) an incorrect PCV valve.
3. An engine compression test identifies that one cylinder has low compression. During a leak down test of the cylinder, excessive leakage is observed and air is heard coming out of the tail pipe. Which of these could be the cause?
 - (A) Broken piston rings
 - (B) A blown head gasket
 - (C) A leaking exhaust manifold gasket
 - * (D) An exhaust valve not seating
4. A technician is reassembling a cylinder head. In the illustration shown, which of these is the technician measuring?
 - (A) Installed stem height
 - (B) Valve spring squareness
 - * (C) Installed spring height
 - (D) Valve spring pressure
5. An engine produces blue smoke when accelerating from a stop. Technician A says that worn exhaust valve guides could be the cause. Technician B says that worn exhaust valve seats could be the cause. Who is right?
 - (A) A only
 - (B) B only
 - (C) Both A and B
 - * (D) Neither A nor B



A1 SAMPLE QUESTIONS (CONTINUED)

6. A slight tapping noise is heard for only a few seconds at engine start-up. This condition occurs only the first time the engine is started each day. Which of these could be the cause?
- (A) A sticking fuel injector
 - (B) A failed spark plug wire
 - (C) A weak ignition coil
 - * (D) A failed engine oil filter

7. An engine has a loss of power. The results of a compression test are shown. While performing a cylinder leak down test, air could be heard coming from an adjacent cylinder. Which of these could be the cause?



- (A) Broken valve springs
 - (B) A bent valve stem
 - (C) A broken timing chain/belt
 - (D) A blown head gasket
8. An engine overheats at higher rpms and returns to normal temperature at lower rpms. Which of these could be the cause?
- (A) A stuck-on cooling fan relay
 - * (B) A worn water pump belt tensioner
 - (C) A restricted heater core
 - (D) An incorrect coolant concentration
9. A gasoline direct injection (GDI) engine idles rough on cold start-up only. The engine idles smoothly after idling for several minutes. A compression test indicates normal compression in all cylinders. Which of these could be the cause?
- (A) Worn intake camshaft lobes
 - (B) A broken piston compression ring
 - (C) Excessive wear on the timing chain guides
 - * (D) Excessive carbon buildup on the intake valves

This question contains the word EXCEPT. Read the question carefully before choosing your answer.

10. An engine with a variable valve timing (VVT) system has stored a VVT performance DTC. Any of these could be the cause EXCEPT a:
- * (A) stuck-open oil filter bypass valve.
 - (B) restricted oil control solenoid screen.
 - (C) sticking camshaft actuator/phaser.
 - (D) restricted oil pump pickup screen.

TEST SPECIFICATIONS AND TASK LIST

AUTOMATIC TRANSMISSION/TRANSAXLE (TEST A2)

Content Area	Questions in Test	Percentage of Test
A. General Transmission/Transaxle Diagnosis	25	50%
1. Mechanical/Hydraulic Systems (11)		
2. Electronic Systems (14)		
B. In-Vehicle Transmission/Transaxle Maintenance and Repair	12	24%
C. Off-Vehicle Transmission/Transaxle Repair	13	26%
1. Removal and Installation (4)		
2. Disassembly and Assembly (5)		
3. Friction and Reaction Units (4)		
Total	50	100%

A. General Transmission/Transaxle Diagnosis (25 questions)

1. Mechanical/Hydraulic Systems (11 questions)

1. Road test the vehicle to verify mechanical/hydraulic system problems based on driver's concern; research vehicle service history; determine necessary action.
2. Diagnose noise, vibration, harshness, and shift quality problems; determine necessary action.
3. Diagnose fluid loss, type, level, and condition problems; determine necessary action.
4. Perform pressure tests; determine necessary action.
5. Diagnose torque converter stator/one-way clutch failure; determine necessary action.
6. Perform torque converter clutch (lock-up converter) mechanical/hydraulic system tests; determine necessary action.
7. Diagnose mechanical/hydraulic systems using appropriate test equipment, service information, technical service bulletins, flow charts, and hydraulic diagrams; determine necessary action.
8. Identify transmission type including torque converter automatic, dual-clutch automatic (DCT), CVT, and Hybrid/EV drive.
9. Diagnose the auxiliary transmission fluid pump(s) and/or pressure accumulator found in stop/start (idle stop)-adapted automatic transmissions; determine necessary action.

2. Electronic Systems (14 questions)

1. Road test the vehicle to verify electronic system problems based on driver's concern; research vehicle service history; determine necessary action.
2. Diagnose pressure concerns on transmissions equipped with electronic pressure control; determine necessary action.
3. Perform torque converter clutch (lock-up converter) electronic system tests; determine necessary action.

A2 TASK LIST (CONTINUED)

4. Diagnose electronic transmission control systems using appropriate test equipment, service information, technical service bulletins, and schematics; diagnose problems in electrical/electronic circuits (including data communications); determine necessary action.
5. Verify proper operation of charging system; check battery(s) (type, size, ratings), sensors, connections, and power/ground circuits.
6. Differentiate between engine performance, powertrain, transfer case, or other vehicle systems, and transmission/transaxle-related problems; determine necessary action.
7. Diagnose shift quality concerns resulting from problems in the electronic transmission control system; determine necessary action.
8. Use scan tool data, bidirectional controls, and/or diagnostic trouble codes (DTCs) to diagnose electronic systems; interpret readings and determine necessary action.
9. Connect diagnostic scan tool to vehicle; access, verify, and update software calibration settings and solenoid/valve body calibration codes; perform control module re-learn and adaptation (basic settings) procedures as needed.

B. In-Vehicle Transmission/Transaxle Maintenance and Repair (12 questions)

1. Inspect, adjust, and replace manual valve shift linkage, cables, bushings, and transmission range sensor/switch (inhibitor/neutral safety switch).
2. Inspect and replace external seals and gaskets.
3. Inspect and replace driveshaft yoke, drive axle joints, bushings, and seals.
4. Check condition and operation of engine cooling system; inspect transmission cooler/warmer, thermostat(s), thermal bypass valve(s), control valves, lines and fittings.
5. Inspect valve body mating surfaces, solenoids, bores, valves, springs, sleeves, retainers, brackets, check balls, screens, spacer plates, and gaskets; determine needed actions or repairs.
6. Torque valve body fasteners to specification using the proper sequence.
7. Inspect accumulator and servo bores, pistons, seals, pins/pin bores, springs, and retainers; determine needed actions or repairs.
8. Inspect, test, adjust, repair, or replace electrical/electronic components and circuits including control modules, solenoids, sensors, relays, terminals, connectors, switches, and harnesses; inspect, test, and verify control module inputs, outputs, and data communications.
9. Inspect, replace, and/or align power train mounts.
10. Replace fluid and filter(s); verify proper fluid level and type (for transmissions with, or without, a dipstick).

C. Off-Vehicle Transmission/Transaxle Repair (13 questions)

1. Removal and Installation (4 questions)

1. Remove and install transmission/transaxle; inspect engine core plugs, rear crankshaft seal, transmission dowel pins, dowel pin holes, and mating surfaces.
2. Inspect converter flex (drive) plate, converter attaching bolts, converter pilot, crankshaft pilot bore, and converter pump drive surfaces.
3. Install torque converter and establish correct converter-to-pump engagement; inspect converter free movement for pilot engagement during transmission installation.
4. Inspect, test, flush or replace transmission fluid cooler/warmer, thermostat, thermal bypass valve(s), and lines.
5. Inspect brackets, cables, linkage, wiring harnesses, connectors, fuel lines, heat shields, inspection covers, vents, cooler lines, brake lines, and related components for proper routing and installation.
6. Connect diagnostic scan tool to vehicle; access, verify, and update software calibration settings and solenoid/valve body calibration codes; perform control module re-learn and adaptation (basic settings) procedures as needed.

A2 TASK LIST (CONTINUED)

2. Disassembly and Assembly (5 questions)

1. Disassemble, clean, and inspect transmission case, sub-assemblies, mating surfaces, and thread condition.
2. Inspect and measure fluid pump and drive components; determine needed actions or repairs,
3. Check bearing preload; inspect, measure, and adjust as needed.
4. Check end play; inspect, measure, and adjust as needed.
5. Inspect shafts (including shaft splines, lubrication feed holes, bushings, journals); determine needed actions or repairs.
6. Inspect fluid delivery circuit including seal rings, ring grooves, sealing surface areas, feed pipes, orifices, and encapsulated check valves (balls).
7. Inspect and/or measure bushings, thrust washers, and bearings; determine needed actions or repairs.
8. Inspect and measure components of the planetary gear assembly; determine needed actions or repairs.
9. Inspect case bores, passages, bushings, vents, mating surfaces, and dowel pins; determine needed actions or repairs.
10. Inspect valve body mating surfaces, bores, valves, solenoids, springs, sleeves, retainers, brackets, check balls, screens, spacer plates, and gaskets; determine needed actions or repairs.
11. Inspect transmission/transaxle drive chains, sprockets, belts, pulleys/sheaves, gears, bearings, and bushings; determine needed actions or repairs.
12. Inspect and measure transaxle final drive components; repair, replace and/or adjust as necessary.
13. Assemble, adjust, and install transmission/transaxle after repair per service information and/or TSBs.

3. Friction and Reaction Units (4 questions)

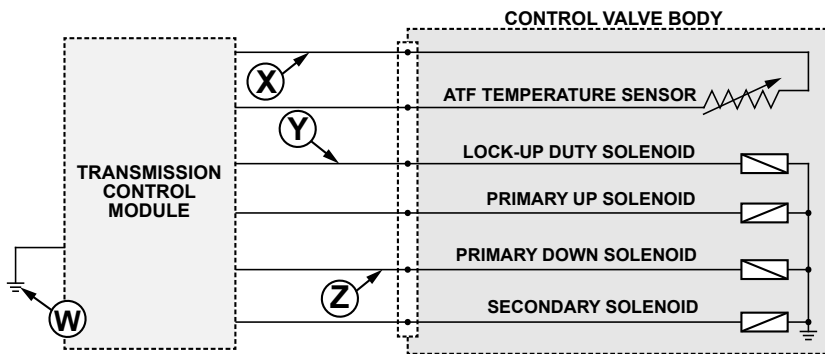
1. Inspect components of the hydraulic clutch pack assembly; determine needed actions or repairs.
2. Measure clutch pack clearance; adjust as necessary.
3. Air test the operation of clutch and servo assemblies; determine needed actions or repairs.
4. Inspect components of one-way clutch assemblies; determine needed actions or repairs.
5. Inspect bands and drums (housings/cylinders); replace and/or adjust as necessary. □

SAMPLE QUESTIONS

AUTOMATIC TRANSMISSION/TRANSAXLE (TEST A2)

1. An automatic transmission does not hold in PARK.
Technician A says that misadjusted shift linkage could be the cause.
Technician B says that a roller clutch installed backwards could be the cause.
Who is right?
 - * (A) A only
 - (B) B only
 - (C) Both A and B
 - (D) Neither A nor B
2. A vehicle with an automatic transaxle and a properly tuned engine accelerates poorly from a stop. Acceleration is normal above 35 mph. Which of these could be the cause?
 - (A) A worn front pump
 - * (B) A failed torque converter
 - (C) A worn planetary gear set
 - (D) A low fluid level
3. The transmission slips when cold. Which of these could be the cause?
 - (A) A shorted low/reverse pressure switch
 - (B) Line pressure is at maximum in 1st gear
 - (C) A disconnected line pressure sensor
 - * (D) Low line pressure
4. The automatic transaxle upshifts harshly during normal acceleration. The cause could be a failed:
 - (A) oxygen sensor.
 - (B) idle air control valve.
 - * (C) throttle position sensor.
 - (D) intake air temperature sensor.
5. With the transmission pan removed, the best way to pin-point an oil pressure leak is to:
 - (A) check the filter pick-up tube seal.
 - (B) check the line pressure.
 - (C) remove and check the valve body.
 - * (D) perform an air pressure test.

A2 SAMPLE QUESTIONS (CONTINUED)



6. A continuously variable transmission (CVT) will ratio-up during a test drive but will not ratio-down. Using the illustration shown, which of these could be the cause?
- (A) An open circuit at W
 - (B) A short-to-ground at X
 - (C) A short-to-ground at Y
 - * (D) An open circuit at Z
7. A vehicle with an OBD II computer system has stored transmission trouble codes. After repairs are completed, the trouble codes should be cleared by:
- (A) disconnecting the battery.
 - (B) disconnecting the TCM.
 - * (C) using a scan tool.
 - (D) removing the TCM fuse.

This question contains the word EXCEPT. Read the question carefully before choosing your answer.

8. Too much automatic transmission shaft endplay could be caused by any of these EXCEPT a worn:
- * (A) clutch.
 - (B) selective washer.
 - (C) transmission case.
 - (D) planetary carrier.

TEST SPECIFICATIONS AND TASK LIST

MANUAL DRIVE TRAIN AND AXLES (TEST A3)

Content Area	Questions in Test	Percentage of Test
A. Clutch Diagnosis and Repair	6	16%
B. Transmission Diagnosis and Repair	7	17%
C. Transaxle Diagnosis and Repair	7	17%
D. Drive Shaft/Half-Shaft and Universal Joint/Constant Velocity (CV) Joint Diagnosis and Repair (Front and Rear Wheel Drive)	5	13%
E. Drive Axle Diagnosis and Repair	7	17%
F. Four-Wheel Drive/All-Wheel Drive Component Diagnosis and Repair	8	20%
Total	40	100%

A. Clutch Diagnosis and Repair (6 questions)

1. Diagnose clutch noise, binding, slippage, pulsation, chatter, pedal feel/effort, and release problems; determine needed repairs.
2. Inspect, adjust, and replace clutch pedal linkage, brackets, bushings, pivots, springs, and electrical switches/sensors.
3. Inspect, adjust, replace, and bleed hydraulic clutch slave/release cylinder, master cylinder, lines, hoses, delay valve(s) and accumulator/damper; clean and flush hydraulic system; refill with proper fluid.
4. Inspect, adjust, and replace release (throw-out) bearing, bearing retainer, lever, and pivot.
5. Inspect, adjust and replace clutch disc and pressure plate assembly; inspect input shaft pilot and splines.
6. Inspect pilot bearing/bushing inner and outer bores; inspect and replace pilot bearing/bushing.
7. Inspect and measure flywheel and ring gear; inspect dual-mass flywheel where required; repair or replace as necessary.
8. Inspect engine block, clutch (bell) housing, transmission case mating surfaces, and alignment dowels; inspect engine core plugs, rear main engine seal, and other sources of fluid contamination; determine needed repairs.
9. Measure flywheel runout and crankshaft endplay; determine needed repairs.
10. Inspect, replace, and align powertrain mounts.

B. Transmission Diagnosis and Repair (7 questions)

1. Diagnose transmission noise, difficult shifting, gear clash, jumping out of gear, fluid condition and type, and fluid leakage problems; determine needed repairs.
2. Inspect, adjust, lubricate and replace transmission external shift assemblies, linkages, brackets, bushings/grommets, cables, pivots, and levers.
3. Inspect and replace transmission gaskets, sealants, seals, and fasteners; inspect sealing surfaces.
4. Remove and replace transmission; inspect transmission mounts.
5. Disassemble and clean transmission components; reassemble transmission.
6. Inspect, repair, and/or replace transmission shift cover and internal shift forks, bushings, bearings, levers, shafts, sleeves, detent mechanisms, interlocks, and springs.
7. Inspect and replace input (clutch) shaft, bearings, and retainers.

A3 TASK LIST (CONTINUED)

8. Inspect and replace output (main) shaft, gears, thrust washers, bearings, and retainers/snap rings; measure clearance and endplay.
9. Inspect and replace synchronizer hub, sleeve, keys (inserts), springs, and blocking (synchronizing) rings/mechanisms; measure blocking ring clearance.
10. Inspect and replace countershaft, counter (cluster) gear, bearings, thrust washers, and retainers/snap rings.
11. Inspect and replace reverse idler gear, shaft, bearings/bushings, thrust washers, and retainers/snap rings.
12. Measure and adjust bearing preload or endplay (shim/spacer selection procedure).
13. Inspect, repair, and replace extension housing and transmission case mating surfaces, bores, dowels, bushings, and vents.
14. Inspect, test, replace and calibrate transmission sensors, actuators, and switches.
15. Inspect, test, and repair lubrication system, pumps, coolers and plumbing.
16. Check transmission fluid level; refill with proper fluid.
17. Inspect, test, adjust, repair or replace electrical/electronic components and circuits including control modules, solenoids, sensors, relays, terminals, connectors, switches, and harnesses; inspect, test, and verify control module inputs, outputs, and data communications.

C. Transaxle Diagnosis and Repair (7 questions)

1. Diagnose transaxle noise, difficult shifting, gear clash, jumping out of gear, fluid condition and type, and fluid leakage problems; determine needed repairs.
2. Inspect, adjust, lubricate and replace transaxle external shift assemblies, linkages, brackets, bushings/grommets, cables, pivots, and levers.
3. Inspect and replace transaxle gaskets, sealants, seals, and fasteners; inspect sealing surfaces.
4. Remove and replace transaxle; inspect, replace, and align transaxle mounts and subframe/cradle assembly.
5. Disassemble and clean transaxle components; reassemble transaxle.
6. Inspect, repair, and/or replace transaxle shift cover and internal shift forks, levers, bushings, shafts, sleeves, detent mechanisms, interlocks, and springs.
7. Inspect and replace input (clutch) shaft and output (main) shaft, gears, thrust washers, bearings, and retainers/snap rings.
8. Inspect and replace synchronizer hub, sleeve, keys (inserts), springs, and blocking (synchronizing) rings; measure blocking ring clearance.
9. Inspect and replace reverse idler gear, shaft, bearings/bushings, thrust washers, and retainers/snap rings.
10. Inspect, repair, and/or replace transaxle case mating surfaces, bores, dowels, bushings, bearings, and vents.
11. Inspect, test, and replace transaxle sensors, actuators, and switches.
12. Diagnose differential assembly noise and wear; determine needed repairs.
13. Remove and replace differential final drive assembly.
14. Inspect, measure, adjust and replace differential pinion (spider) gears, shaft, side gears, thrust washers, side bearings, and case/carrier.
15. Diagnose limited slip differential noise, slippage, and chatter problems; determine needed repairs.
16. Measure and adjust shaft and differential bearing preload and endplay (shim/spacer selection procedure).
17. Inspect, test, and repair lubrication system, pumps, coolers, and plumbing.
18. Check transaxle fluid level; refill with proper fluid.
19. Inspect, test, adjust, repair or replace electrical/electronic components and circuits including control modules, solenoids, sensors, relays, terminals, connectors, switches, and harnesses; inspect, test, and verify control module inputs, outputs, and data communications.

D. Drive Shaft/Half-Shaft and Universal Joint/Constant Velocity (CV) Joint Diagnosis and Repair (Front and Rear Wheel Drive) (5 questions)

1. Diagnose drive/half shaft and universal/CV joint noise and vibration problems; determine needed repairs.
2. Inspect, service, and replace shafts, slip joints, yokes, boots, and universal/CV/flexible disc joints; verify proper phasing.
3. Inspect, service, and replace center support and intermediate shaft bearings.

A3 TASK LIST (CONTINUED)

4. Check drive/propeller shaft balance; determine needed action.
5. Measure drive shaft runout.
6. Measure and adjust drive shaft working angles.
7. Diagnose, inspect, service, and replace wheel bearings, seals, and hubs.

E. Drive Axle Diagnosis and Repair (7 questions)

► Ring and Pinion Gears

1. Diagnose noise, vibration, and fluid leakage problems; determine needed repairs.
2. Inspect and replace companion flange, yoke, and pinion seal; measure companion flange runout.
3. Measure ring gear runout; determine needed repairs.
4. Inspect and replace ring and pinion gear set, collapsible spacers/crush sleeves, shims, and bearings.
5. Measure and adjust drive pinion depth.
6. Measure and adjust drive pinion bearing preload (collapsible spacer/crush sleeves or shim type).
7. Measure and adjust differential (side) bearing preload, and ring and pinion backlash (threaded adjuster or shim type).
8. Perform ring and pinion tooth contact pattern checks; determine needed adjustments.

► Differential Case/Carrier Assembly

9. Diagnose differential assembly noise and vibration problems; determine needed repairs.
10. Remove and replace differential assembly.
11. Inspect, measure, adjust, and replace differential pinion (spider) gears, shaft, side gears, thrust washers, side bearings, and case/carrier.
12. Measure differential case/carrier runout; determine needed repairs.

► Limited Slip/Locking Differential

13. Diagnose limited slip differential noise, slippage, and chatter problems; determine needed repairs.
14. Inspect, drain, and refill with proper lubricant.
15. Inspect, adjust, repair or replace limited slip or locking assembly components.
16. Inspect, test, replace, and calibrate sensors, control modules, actuators, and switches.

► Axle Shafts and Housing

17. Diagnose rear axle shaft noise, vibration, and fluid leakage problems; determine needed repairs.
18. Inspect and replace rear axle shaft wheel studs.
19. Remove, inspect, adjust, and/or replace rear axle shafts, splines, seals, bearings, and retainers.
20. Measure rear axle flange runout and shaft endplay; determine needed repairs.
21. Inspect axle housing and vent.

F. Four-Wheel Drive/All-Wheel Drive Component Diagnosis and Repair (8 questions)

1. Diagnose drive systems noise, vibration, leakage and steering problems; determine needed repairs.
2. Inspect, repair, replace, adjust, and calibrate transfer case manual shifting mechanisms, bushings, mounts, levers, and brackets.
3. Remove and replace transfer case.
4. Disassemble transfer case; clean and inspect internal transfer case components; determine needed repairs.
5. Reassemble transfer case.
6. Check transfer case fluid level; drain and refill with proper fluid; reset service parameters as required.
7. Inspect, service, and replace drive/propeller shaft and universal/CV joints.
8. Inspect, service, and replace drive axle universal/CV joints and drive/half-shafts.
9. Inspect, service, and replace wheel bearings, seals, and hubs.
10. Check transfer case, axle seals, and all vents.
11. Diagnose drive system actuation and engagement concerns; repair or replace components as necessary (including: viscous, hydraulic, magnetic, mechanical, vacuum, and electrical/electronic); calibrate/initialize as necessary.
12. Inspect tires for condition and matching circumference; verify proper size for vehicle application. □

SAMPLE QUESTIONS

MANUAL DRIVE TRAIN AND AXLES (TEST A3)

1. Excessive brass filings are found in the fluid of a manual transmission. Which of these could be the cause?

- (A) Loose main shaft bearings
- (B) Loose countershaft bearings
- * (C) Worn blocker rings
- (D) Broken input shaft gear teeth

2. A manual transaxle makes a clunking noise on acceleration and on deceleration.

Technician A says that a loose differential case pinion shaft could be the cause.

Technician B says that a worn clutch release bearing could be the cause.

Who is right?

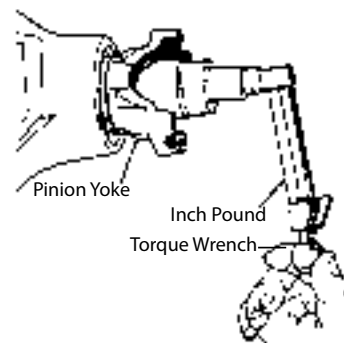
- * (A) A only
- (B) B only
- (C) Both A and B
- (D) Neither A nor B

3. A front-wheel drive vehicle has a vibration only when cornering. Which of these could be the cause?

- (A) An out-of-balance tire
- * (B) A worn CV joint
- (C) A worn ring gear
- (D) An out-of-balance axle shaft

4. Using the illustration shown, the technician is measuring pinion bearing:

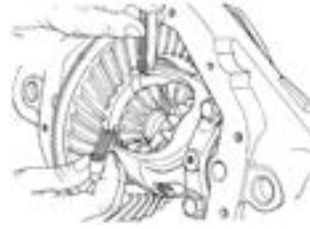
- (A) backlash.
- (B) runout.
- * (C) preload.
- (D) depth.



A3 SAMPLE QUESTIONS (CONTINUED)

5. Which of these is the technician measuring in the illustration shown?

- * (A) Side gear clearance
- (B) Ring gear runout
- (C) Pinion depth
- (D) Bearing preload



6. A four-wheel drive vehicle vibrates while the front axle is engaged.

Technician A says that a failed rear axle shaft bearing could be the cause.

Technician B says that different front and rear tire diameters could be the cause.

Who is right?

- (A) A only
- (B) B only
- (C) Both A and B
- (D) Neither A nor B

7. A clutch chatters during engagement following a clutch replacement. Which of these could be the cause?

- (A) An incorrect throw-out bearing
- (B) A bent release fork
- (C) Stiff clutch linkage
- * (D) Poor flywheel surface finish

This question contains the word EXCEPT. Read the question carefully before choosing your answer.

8. The clutch does not release fully when the pedal is pushed to the floor. Any of these could be the cause EXCEPT:

- * (A) weak pressure plate springs.
- (B) too much free pedal travel.
- (C) a warped clutch disc.
- (D) a seized pilot bearing.

TEST SPECIFICATIONS AND TASK LIST SUSPENSION AND STEERING (TEST A4)

Content Area	Questions in Test	Percentage of Test
A. Steering Systems Diagnosis and Repair	12	30%
B. Suspension Systems Diagnosis and Repair	12	30%
C. Wheel Alignment Diagnosis, Adjustment, and Repair	11	28%
D. Wheel and Tire Diagnosis and Service	5	12%
Total	40	100%

A. Steering Systems Diagnosis and Repair (12 questions)

► Steering Columns

1. Diagnose steering column noises and steering effort concerns (including manual and electronic tilt and telescoping mechanisms); determine needed action.
2. Inspect and replace steering column, steering shaft U-joint(s), flexible coupling(s), collapsible columns, intermediate shafts, and steering wheels (including steering wheels and columns equipped with airbags and/or other steering wheel/column mounted controls, sensors, and components).
3. Disable, enable, and properly handle airbag system components during vehicle service following manufacturers' procedures.
4. Diagnose, inspect, adjust, repair or replace components (including motors, sensors, switches, actuators, harnesses, and control units) of steering column-mounted, electronically controlled, hydraulically and/or electrically assisted steering systems; initialize systems as required.

► Steering Units

5. Diagnose steering gear (non-rack and pinion type) noises, binding, vibration, freeplay, steering effort, steering pull (lead), and leakage concerns; determine needed action.
6. Diagnose rack and pinion steering gear noises, binding, vibration, freeplay, steering effort, steering pull (lead), and leakage concerns; determine needed action.
7. Inspect power steering fluid level and condition; determine fluid type and adjust fluid level in accordance with vehicle manufacturers' recommendations.
8. Inspect, adjust, align, and replace power steering pump belt(s), tensioners, and pulleys.
9. Diagnose power steering pump noises, vibration, and fluid leakage; determine needed action.
10. Remove and replace power steering pump; inspect pump mounting and attaching brackets; remove and replace power steering pump pulley; transfer related components.
11. Perform power steering system pressure and flow tests; determine needed action.
12. Inspect and replace power steering hoses, fittings, O-rings, coolers, and filters.
13. Inspect steering gear (non-rack and pinion type) seals and gaskets; remove and replace steering gear.
14. Remove and replace rack and pinion steering gear; inspect mounting services; inspect and replace mounting bushings and brackets.
15. Adjust steering gear (non-rack and pinion type) worm bearing preload and sector lash.
16. Adjust rack and pinion steering gear.

A4 TASK LIST (CONTINUED)

17. Inspect and replace rack and pinion steering gear bellows/boots.
18. Flush, fill, and bleed power steering system.
19. Diagnose, inspect, repair or replace components of variable-assist and/or variable-ratio steering systems.
20. Diagnose, inspect, adjust, repair or replace components (including motors, sensors, switches, actuators, harnesses, and control units) of rack-mounted, electronically controlled, hydraulically and/or electrically assisted steering systems; initialize systems as required.

► Steering Linkage

21. Inspect and adjust (where applicable) front and rear steering linkage geometry.
22. Inspect and replace pitman arm.
23. Inspect and replace center link (relay rod/drag link/intermediate rod).
24. Inspect, adjust (where applicable), and replace idler arm and mountings.
25. Inspect, replace, and adjust tie rods, tie rod sleeves/adjusters, clamps, and tie rod ends.
26. Inspect and replace steering linkage damper(s).

B. Suspension Systems Diagnosis and Repair (12 questions)

► Front Suspensions

1. Diagnose front suspension system noises, handling, ride height and ride quality concerns; determine needed action.
2. Inspect and replace upper and lower control arms, bushings, hardware, and shafts.
3. Inspect and replace rebound and jounce bumpers/bump stops.
4. Inspect, adjust, and replace track bar, strut rods/radius arms, and related mounts/bushings.
5. Inspect and replace upper and lower ball joints.
6. Inspect solid front axle assembly for damage and misalignment.
7. Inspect and replace front steering knuckle/spindle assemblies and steering arms.
8. Inspect and replace front suspension system coil springs and spring insulators (silencers).
9. Inspect and replace front strut(s), strut bearing(s) and strut mount(s).
10. Inspect, replace, and adjust front suspension system torsion bars and mounts.
11. Inspect and replace front stabilizer bar (sway bar), bushings, brackets, and links.
12. Inspect and replace shock absorbers, mounts, and bushings.
13. Diagnose, service and/or replace front wheel bearings and/or hub assemblies.
14. Diagnose, inspect, adjust, repair or replace components (including sensors, switches, actuators, harnesses, and control units) of electrically/hydraulically/pneumatically controlled suspension systems (including primary and supplemental suspension and ride control systems); initialize as needed.
15. Inspect and repair front subframe/cradle/crossmember mountings, bushings, brackets, and bolts.

► Rear Suspensions

16. Diagnose rear suspension system noises, handling, ride height and ride quality concerns; determine needed action.
17. Inspect and replace rear suspension system coil springs and spring insulators (silencers).
18. Inspect and replace rear suspension system lateral links/arms (track bars), control (trailing) arms, stabilizer bars (sway bars), bushings, and mounts.
19. Inspect and replace rear suspension system leaf spring(s), leaf spring insulators (silencers), shackles, brackets, bushings, center pins/bolts, U-bolts, and mounts.
20. Inspect and replace rear rebound and jounce bumpers/bump stops.
21. Inspect and replace rear strut and/or upper strut mount.
22. Inspect non-independent rear axle assembly for damage and misalignment.
23. Inspect and replace rear ball joints and tie rod/toe link assemblies.
24. Inspect and replace rear knuckle/spindle assembly.
25. Inspect and replace shock absorbers, mounts, and bushings.
26. Diagnose, service, and/or replace rear wheel bearings and/or hub assemblies.

A4 TASK LIST (CONTINUED)

27. Diagnose, inspect, adjust, repair or replace components (including sensors, switches, actuators, harnesses, and control units) of electrically/hydraulically/pneumatically controlled suspension systems (including primary and supplemental suspension and ride control systems).
28. Inspect and repair rear subframe/cradle/crossmember mountings, bushings, brackets, and bolts.

C. Wheel Alignment Diagnosis, Adjustment, and Repair (11 questions)

1. Diagnose vehicle wander, drift, pull, hard steering, bump steer, memory steer, torque steer, and steering return concerns; determine needed action.
2. Measure vehicle ride height; determine needed action.
3. Measure front and rear wheel camber; determine needed action.
4. Adjust front and/or rear wheel camber on suspension systems with a camber adjustment.
5. Measure caster; determine needed action.
6. Adjust caster on suspension systems with a caster adjustment.
7. Measure and adjust front wheel toe.
8. Center the steering wheel.
9. Measure toe-out-on-turns (turning radius/angle); determine needed action.
10. Measure SAI/KPI (steering axis inclination/king pin inclination); determine needed action.
11. Measure included angle; determine needed action.
12. Measure rear wheel toe; determine needed action.
13. Measure thrust angle; determine needed action.
14. Measure wheelbase setback/offset; determine needed action.
15. Check front and/or rear subframe/cradle/crossmember alignment; determine needed action.
16. Perform electronic control module calibration/recalibration; perform initialization or relearn procedure as required.
17. Diagnose wheel alignment problems caused by damaged component mounting locations; determine needed action.

D. Wheel and Tire Diagnosis and Service (5 questions)

1. Diagnose tire wear patterns; determine needed action.
2. Inspect tire condition, size, and application (load and speed ratings).
3. Measure and adjust tire air pressure.
4. Diagnose wheel/tire vibration, shimmy, and noise concerns; determine needed action.
5. Rotate tires/wheels and torque fasteners according to manufacturers' recommendations.
6. Diagnose problems with radial and lateral runout of wheel assembly; measure wheel, tire, axle flange, and hub runout (radial and lateral); determine needed action.
7. Diagnose tire pull (lead) problems; determine needed action.
8. Dismount and mount tire on wheel.
9. Balance wheel and tire assembly.
10. Test and diagnose indirect/direct tire pressure monitoring systems (TPMS); determine needed action; perform system initialization/relearn as required. □

SAMPLE QUESTIONS

SUSPENSION AND STEERING (TEST A4)

1. While traveling at highway speed, a vibration is felt in the steering wheel and the front end of the vehicle vibrates up and down. Which of these could be the cause?
 - (A) A leaking power steering rack
 - * (B) Static out-of-balance of the front tires
 - (C) A binding ball joint
 - (D) Incorrect thrust angle

2. The front end of a vehicle dives excessively while braking. Which of these could be the cause?
 - (A) Worn stabilizer bar bushings
 - (B) Worn power steering rack bushings
 - (C) A bent steering arm
 - * (D) Weak springs

	SPECIFICATION	ACTUAL LEFT	ACTUAL RIGHT
CASTER - FRONT	0.00° +/- 0.25°	+0.25°	+0.00°
CAMBER - FRONT	0.50° +/- 0.50°	+0.50°	-0.75°
CAMBER - REAR	0.00° +/- 0.50°	0.00°	0.00°
TOTAL TOE - FRONT	0" +/- 1/32"	-1/8"	+1/16"
TOTAL TOE - REAR	0" +/- 1/32"	0"	0"

3. A vehicle with the alignment readings shown has wear on the inside edge of the right front tire tread and pulls to the left. The cause could be incorrect:
 - (A) front caster.
 - * (B) front camber.
 - (C) front toe.
 - (D) rear toe.

4. A vehicle with rack and pinion steering has a shimmy.

Technician A says that worn rack-to-frame mounting bushings could be the cause.

Technician B says that a binding steering shaft U-joint could be the cause.

Who is right?

 - * (A) A only
 - (B) B only
 - (C) Both A and B
 - (D) Neither A nor B

A4 SAMPLE QUESTIONS (CONTINUED)

5. During a wheel alignment, a technician finds the toe-out-on-turns (turning radius) to be incorrect. The cause could be a bent:

- (A) pitman arm.
- (B) tie rod.
- (C) idler arm.
- * (D) steering arm.

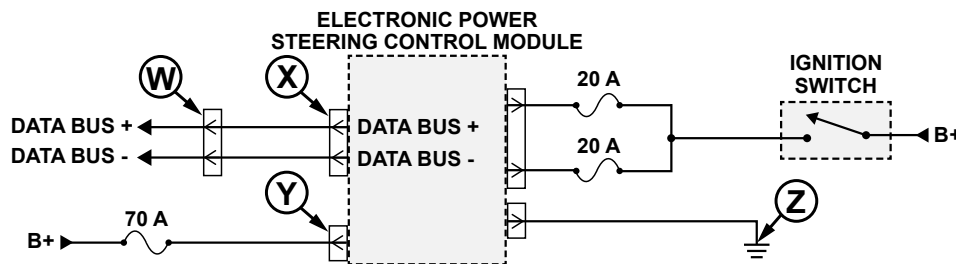
6. A vehicle pulls to the right during braking.

Technician A says that a worn control arm/strut rod bushing could be the cause.

Technician B says that a bent right wheel could be the cause.

Who is right?

- * (A) A only
- (B) B only
- (C) Both A and B
- (D) Neither A nor B



7. A vehicle with the circuit shown has a stored “Electronic Power Steering Motor - Circuit Voltage Below Threshold” DTC. Which of these could be the cause?

- (A) The data bus connector at W is open.
- (B) The data bus wires are shorted together at X.
- * (C) There is high resistance in the connector at Y.
- (D) There is an open circuit at Z.

8. A pressure test is being performed on a vehicle with power steering. The pressure readings taken when the wheels are at the right and left stops are below specification. The readings are normal when the tester shutoff valve is closed. Which of these could be the cause?

- * (A) A failed steering gear
- (B) A failed power steering pump
- (C) A loose serpentine belt
- (D) A binding ball joint

A4 SAMPLE QUESTIONS (CONTINUED)

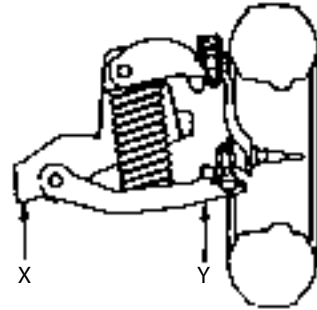
9. Ball joint wear is being checked in the suspension shown.

Technician A says that the jack can be placed at X to perform the test.

Technician B says that the jack can be placed at Y to perform the test.

Who is right?

- (A) A only
- * (B) B only
- (C) Both A and B
- (D) Neither A nor B



This question contains the word EXCEPT. Read the question carefully before choosing your answer.

10. If not within manufacturer's specifications, any of these could cause tire wear EXCEPT:

- * (A) caster.
- (B) wheel balance.
- (C) toe.
- (D) camber.

TEST SPECIFICATIONS AND TASK LIST

BRAKES (TEST A5)

Content Area	Questions in Test	Percentage of Test
A. Hydraulic, Power Assist, and Parking Brake Systems Diagnosis and Repair	19	43%
B. Drum Brake Diagnosis and Repair	5	11%
C. Disc Brake Diagnosis and Repair	11	24%
D. Electronic Brake Control Systems: Antilock Brake System (ABS), Traction Control System (TCS), and Electronic Stability Control System (ESC) Diagnosis and Repair	10	22%
Total	45	100%

A. Hydraulic, Power Assist and Parking Brake Systems Diagnosis and Repair (19 questions)

► Master Cylinder

1. Diagnose poor stopping, dragging, high or low pedal, and hard or spongy pedal caused by the master cylinder; determine needed repairs.
2. Measure and adjust master cylinder pushrod length.
3. Check master cylinder for failures by pressing brake pedal; determine needed repairs.
4. Diagnose the cause of master cylinder external fluid leakage.
5. Remove and replace master cylinder; bench bleed and install master cylinder; verify master cylinder function.

► Lines and Hoses

6. Diagnose poor stopping, pulling or dragging caused by problems in the lines and hoses; determine needed repairs.
7. Inspect brake lines and fittings for leaks, dents, kinks, rust, cracks or wear; inspect for loose fittings and supports; determine needed repairs.
8. Inspect flexible brake hoses for leaks, kinks, cracks, bulging, wear or corrosion; inspect for loose fittings and supports; determine needed repairs.
9. Replace brake lines, hoses, fittings and supports; fabricate brake lines using proper material and flaring procedures (double flare and ISO types).
10. Inspect brake lines and hoses for proper routing and support.

► Valves and Switches

11. Diagnose poor stopping, pulling or dragging caused by problems in the hydraulic system valve(s); determine needed repairs.
12. Inspect, test and replace metering, proportioning, pressure differential and combination valves.
13. Inspect, test, replace and adjust load or height sensing-type proportioning valve(s).
14. Inspect, test and replace brake system warning lights, indicators, switches, sensors and circuits; test, adjust and repair or replace brake stop light/brake pedal position switch sensor, lamps and related circuits.

A5 TASK LIST (CONTINUED)

► Bleeding, Flushing and Leak Testing

15. Diagnose poor stopping, pulling, dragging or incorrect pedal travel caused by problems in the brake fluid; determine needed repairs.
16. Bleed and/or flush hydraulic system using manual, pressure, vacuum or gravity method(s).
17. Pressure test brake hydraulic system.
18. Select, handle, store and install proper brake fluids (including silicone fluids). Fill master cylinder to proper level.

► Power Assist Units

19. Inspect and test brake pedal linkage for binding, looseness and adjustment; determine needed repairs.
20. Test pedal free travel with and without engine running to check power booster operation.
21. Check vacuum supply (manifold or auxiliary pump) to vacuum-type power booster.
22. Diagnose vacuum-type power booster unit for vacuum leaks and proper operation; inspect the check valve for proper operation; repair, adjust or replace parts as necessary.
23. Diagnose hydro-boost system for leaks and proper operation; repair or replace parts as necessary; refill and bleed system following manufacturers' specifications.
24. Diagnose electronic brake servo/brake simulator system for proper operation; determine needed repairs.

► Parking Brake

25. Diagnose parking brake system operation (including electronic parking brakes); inspect cables and parts for wear, rust and corrosion; clean or replace parts as necessary; lubricate assembly.
26. Adjust parking brake assembly; check operation.
27. Test the parking brake indicator light, switch and wiring.
28. Retract integral and/or electronic parking brake caliper piston(s) according to manufacturers' specifications.
29. Adjust calipers with integrated parking brakes according to manufacturers' recommendations.

B. Drum Brake Diagnosis and Repair (5 questions)

1. Diagnose poor stopping, pulling, dragging or incorrect pedal travel caused by drum brake hydraulic problems; determine needed repairs.
2. Diagnose poor stopping, noise, pulling, grabbing, dragging, pedal pulsation or incorrect pedal travel caused by drum brake mechanical problems; determine needed repairs.
3. Remove, clean, inspect and measure brake drums; follow manufacturers' recommendations in determining need to machine or replace.
4. Machine drums according to manufacturers' procedures and specifications.
5. Using proper safety procedures, remove, clean and inspect mechanical brake components, such as: shoes/linings, springs, pins, self-adjusters, levers, clips, brake backing (support) plates and other related brake hardware; determine needed repairs.
6. Lubricate brake shoe support pads on backing (support) plate, self-adjuster mechanisms and other brake hardware.
7. Inspect wheel cylinder(s) for leakage, operation and mounting; remove and replace wheel cylinder(s); bleed system.
8. Following manufacturers' specifications, install brake shoes and related hardware.
9. Preadjust brake shoes and parking brake before installing brake drums or drum/hub assemblies and wheel bearings.
10. Reinstall wheel, torque lug nuts, and make final checks and adjustments.
11. Diagnose wheel bearing noises and vibration problems; determine needed repairs.
12. Remove, clean, inspect, repack wheel bearings or replace wheel bearings and races; replace seals; replace hub and bearing assemblies; adjust wheel/hub bearings according to manufacturers' specifications.

A5 TASK LIST (CONTINUED)

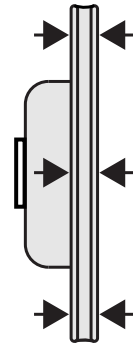
C. Disc Brake Diagnosis and Repair (11 questions)

1. Diagnose poor stopping, pulling, dragging or incorrect pedal travel caused by disc brake hydraulic problems; determine needed repairs.
2. Diagnose poor stopping, noise, pulling, grabbing, dragging, pedal pulsation or incorrect pedal travel caused by disc brake mechanical problems; determine needed repairs.
3. Retract brake caliper piston(s) according to manufacturers' recommendations.
4. Remove caliper assembly from mountings; inspect for leaks and damage to caliper housing.
5. Clean and inspect caliper mountings, slides/pins and threads for wear and damage.
6. Remove, clean and inspect pads and retaining hardware; determine needed repairs, adjustments and replacements.
7. Clean caliper assembly; inspect external parts for wear, rust, scoring and damage; replace any damaged or worn parts; determine the need to repair or replace caliper assembly.
8. Clean, inspect and measure rotor with a dial indicator and a micrometer; follow manufacturers' recommendations in determining the need to index, machine or replace the rotor.
9. Remove and replace rotor.
10. Machine rotor, using on-car or off-car method, according to manufacturers' procedures and specifications.
11. Install pads, calipers and related attaching hardware; lubricate components following manufacturers' procedures and specifications; bleed system and inspect for leaks.
12. Reinstall wheel, torque lug nuts, and make final checks and adjustments.
13. Road test vehicle and burnish/break-in pads according to manufacturer's recommendations.
14. Diagnose wheel bearing noises and vibration problems; determine needed repairs.
15. Remove, clean, inspect, repack wheel bearings or replace wheel bearings and races; replace seals; replace hub and bearing assemblies; adjust wheel/hub bearings according to manufacturers' specifications.
16. Distinguish between brake component vibration and tire/wheel vibration; determine needed repairs.

D. Electronic Brake Control Systems: Antilock Brake System (ABS), Traction Control System (TCS), and Electronic Stability Control System (ESC) Diagnosis and Repair (10 questions)

1. Follow manufacturers' service and safety precautions when inspecting, testing and servicing electronic brake control system hydraulic, electrical, and mechanical components.
2. Diagnose increased stopping distance, wheel lock-up, false activation, pedal feel, pedal travel, pedal pulsation and noise concerns associated with the electronic brake control system; determine needed repairs.
3. Observe electronic brake control system indicator/light(s) at start-up and during road test; determine if further diagnosis is needed.
4. Diagnose electronic brake control system, electronic control(s), components and circuits (with or without DTCs) using on-board diagnosis and/or recommended test equipment such as: scan tool, digital multimeter (DMM), digital storage oscilloscope (DSO); determine needed repairs.
5. Bleed and/or flush the electronic brake control hydraulic system following manufacturers' procedures.
6. Remove and install electronic brake control system components following manufacturers' procedures and specifications; perform module set-up/initialization.
7. Test, diagnose and service electronic brake control system sensors (speed, yaw, steering angle, brake pedal position, etc.) and circuits following manufacturers' recommended procedures (includes output signal, resistance, amperage, shorts to voltage/ground and frequency data.).
8. Diagnose electronic brake control system braking concerns caused by vehicle modifications (wheel/tire size, curb height, final drive ratio, etc.) and other vehicle mechanical and electrical/electronic modifications (communication, security, radio, etc.).
9. Repair wiring harness and connectors following manufacturers' procedures.
10. Diagnose brake problems resulting from failures of interrelated systems (for example: electronic stability control, antilock brake, traction control, collision avoidance/mitigation).
11. Clear diagnostic trouble codes (DTCs) and verify the repair. □

SAMPLE QUESTIONS BRAKES (TEST A5)



1. Which of these could happen if the measurements in the set-up shown varied from manufacturer's specifications?
 - (A) Noisy brake operation
 - (B) Brake grab or pull
 - * (C) Pulsating brake pedal
 - (D) Low brake pedal

2. The brake pedal on a vehicle with power-assisted disc brakes moves slowly to the floor during braking. Which of these could be the cause?
 - * (A) An internal master cylinder leak
 - (B) A leaking power brake booster diaphragm
 - (C) A leaking brake booster check valve
 - (D) An internal leak in the combination valve

3. On a vehicle with disc brakes, the left front brake grabs quickly every time light pressure is applied to the brake pedal. This could be caused by a:
 - (A) restricted left front brake hose.
 - (B) restricted left rear brake hose.
 - * (C) failed hydraulic control unit (HCU).
 - (D) failed brake pedal pressure sensor.

4. On a vehicle with single piston, floating caliper disc brakes, the brake pad against the piston is badly worn. The other brake pad is only slightly worn.

Technician A says that too much rotor runout could be the cause.

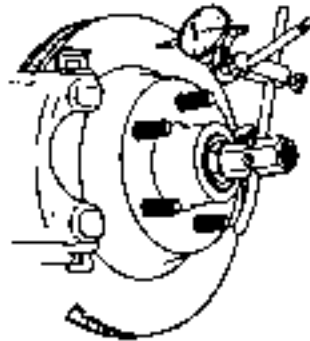
Technician B says that a frozen caliper piston could be the cause.

Who is right?

 - (A) A only
 - (B) B only
 - (C) Both A and B
 - * (D) Neither A nor B

A5 SAMPLE QUESTIONS (CONTINUED)

5. When the brakes are applied, a vibration comes from the front of a vehicle with a disc/drum system. Which of these could be the cause?
- (A) Unequal tire pressure
 - (B) Binding caliper slides
 - * (C) Excessive rotor runout
 - (D) A frozen caliper piston
6. A front disc brake rotor is slightly below minimum thickness specification after machining. The technician should:
- (A) reuse the rotor.
 - * (B) replace the rotor.
 - (C) apply a non-directional finish to the rotor.
 - (D) machine the other front rotor to the same thickness.
7. A hydraulic brake line is leaking. Which of these is the correct repair?
- (A) Cut out the bad section and replace with new steel tubing using compression fittings.
 - (B) Replace the leaking line with double-flared seamless aluminum tubing.
 - (C) Cut out the bad section and replace with single-flared steel tubing using flare nuts and unions.
 - * (D) Replace the leaking line with double-flared steel tubing.
8. The set-up shown is used to check:
- (A) rotor parallelism.
 - (B) wheel bearing adjustment.
 - * (C) rotor lateral runout.
 - (D) rotor face wear.



A5 SAMPLE QUESTIONS (CONTINUED)

9. The drag on a vehicle's drum brakes increases after each application until they lock up. Bleeding the system restores normal operation for a short time; then drag increases until the brakes lock up again. Which of these could be the cause?

- * (A) A failed master cylinder
- (B) A seized wheel caliper
- (C) Incorrect brake shoe adjustment
- (D) Weak brake shoe return springs

10. With the brakes applied, the pedal moves down slightly when the engine is started on a vehicle with power brakes.

Technician A says that a leaking power brake booster diaphragm could be the cause.

Technician B says that a stuck-closed brake booster vacuum check valve could be the cause.

Who is right?

- (A) A only
- (B) B only
- (C) Both A and B
- * (D) Neither A nor B

TEST SPECIFICATIONS AND TASK LIST ELECTRICAL/ELECTRONIC SYSTEMS (TEST A6)

Content Area	Questions in Test	Percentage of Test
A. General Electrical/Electronic System Diagnosis	13	26%
B. Battery and Starting System Diagnosis and Repair	9	18%
C. Charging System Diagnosis and Repair	5	10%
D. Lighting Systems Diagnosis and Repair	6	12%
E. Body Electrical Systems Diagnosis and Repair	17	34%
Total	50	100%

A. General Electrical/Electronic System Diagnosis (13 questions)

1. Verify concern; perform visual inspection; determine needed action.
2. Research applicable vehicle and service information, such as vehicle service history, service precautions, technical service bulletins, and service campaigns/recalls.
3. Check voltages and voltage drops in electrical/electronic circuits; interpret readings and determine needed repairs.
4. Check current flow and wattage in electrical/electronic circuits; interpret readings and determine needed repairs.
5. Check continuity and resistances in electrical/electronic circuits and components; interpret readings and determine needed repairs.
6. Check electronic circuit waveforms; interpret readings and determine needed repairs.
7. Use scan tool data, bidirectional controls, and/or diagnostic trouble codes (DTCs) to diagnose electronic systems; interpret readings and determine necessary action.
8. Find shorts, grounds, opens, and resistance problems in electrical/electronic circuits; determine needed repairs.
9. Measure and diagnose the cause(s) of abnormal key-off battery drain (parasitic draw); determine needed repairs.
10. Inspect, test, and replace fusible links, circuit breakers, fuses, diodes, and current limiting devices.
11. Read and interpret electrical schematic diagrams and symbols.
12. Diagnose failures in the data bus communications network; identify network type; determine needed repairs.
13. Remove and replace control modules; program, reprogram, code, initialize, and/or configure as needed.

B. Battery and Starting System Diagnosis and Repair (9 questions)

1. Identify low-voltage energy storage system type, voltage, and system configuration (to include non-traditional chemistry, voltages, multi-battery grouping, and incorporation of boost capacitors); test and repair as needed.
2. Test and diagnose problems resulting from low-voltage battery system failures; determine needed action.
3. Perform low-voltage battery state-of-charge test; determine needed service.
4. Perform low-voltage battery tests (load and capacitance); determine needed service.

A6 TASK LIST (CONTINUED)

5. Follow manufacturer's procedure to restore (or maintain if applicable) electronic memory functions.
6. Perform low-voltage battery charge in accordance with manufacturer's recommendations.
7. Inspect, clean, repair and/or replace low-voltage battery(ies), battery cables, connectors, clamps, hold-downs, trays, and vent tubes.
8. Jump-start a vehicle (when applicable) using jumper cables, a booster battery, or auxiliary power supply.
9. Test and diagnose problems resulting from starting system failures; determine needed action.
10. Perform starter current draw test; determine needed repairs.
11. Perform starter circuit voltage drop tests; determine needed repairs.
12. Inspect, test, repair and/or replace starter, relays, solenoids, modules, switches, connectors, and wires of starter circuits.
13. Differentiate between electrical and engine mechanical problems that cause a slow crank, no-crank, extended cranking, or a cranking noise condition.

C. Charging System Diagnosis and Repair (5 questions)

1. Diagnose charging system problems that cause a no-charge, a low charge, or an overcharge condition; determine needed repairs.
2. Inspect, reinstall and/or replace pulleys, tensioners and drive belts; adjust belts and check alignment.
3. Perform charging system voltage output test; determine needed repairs.
4. Perform charging system current output test; determine needed repairs.
5. Inspect and test generator (alternator) control components including sensors, regulators, and modules; determine needed repairs.
6. Perform charging circuit voltage drop tests; determine needed repairs.
7. Inspect, test, repair and/or replace connectors, terminals, and wires of charging system circuits.
8. Remove, inspect, and replace generator (alternator).

D. Lighting Systems Diagnosis and Repair (6 questions)

1. Diagnose the cause of brighter than normal, intermittent, dim, continuous or no operation of exterior lighting; determine needed repairs.
2. Identify, inspect, replace, aim and/or level headlight assemblies and auxiliary light assemblies (fog lights/driving lights), including high-intensity discharge (HID), LED, and advanced front lighting systems.
3. Inspect, test, repair and/or replace switches, relays, bulbs, LEDs, sockets, connectors, terminals, wires, and control modules of exterior lighting.
4. Diagnose the cause of turn signal and/or hazard light system malfunctions; determine needed repairs.
5. Inspect, test, repair and/or replace switches, flasher units, bulbs, sockets, connectors, terminals, wires, and control modules of turn signal and hazard light circuits.
6. Diagnose the cause of intermittent, dim, continuous or no operation of interior lighting circuits (such as: courtesy, dome, map, vanity, glove box, cargo, trunk, hood, instrument, and accent lighting); determine needed repairs.
7. Inspect, test, repair and/or replace switches, relays, bulbs, sockets, connectors, terminals, wires, and control modules of interior lighting circuits (such as: courtesy, dome, map, vanity, glove box, cargo, trunk, hood, instrument, and accent lighting).
8. Inspect, test, repair and/or replace trailer wiring harness, relays, connectors, and control modules (including brake control).

E. Body Electrical Systems Diagnosis and Repair (17 questions)

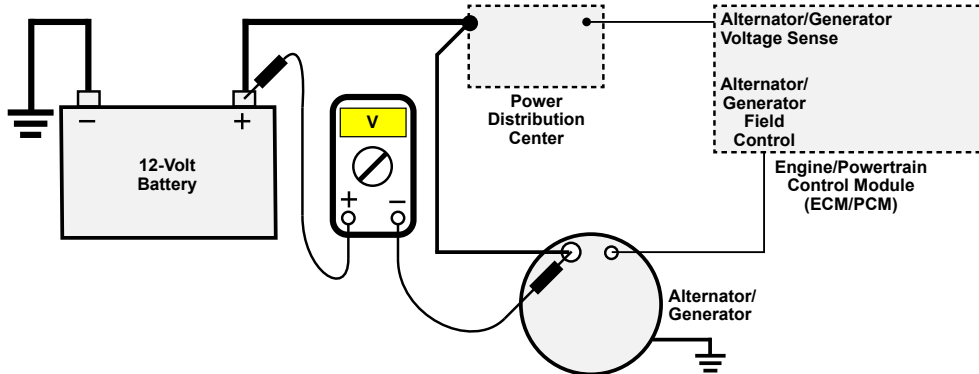
1. Diagnose operation of human machine interface (HMI) systems (such as: instrument cluster, driver information, entertainment/infotainment, and navigation); determine needed repairs.
2. Inspect, test, repair and/or replace components, connectors, terminals, and wiring of human machine interface (HMI) systems.
3. Diagnose operation of comfort and convenience accessories and related circuits (such as: power windows, power seats, adjustable pedal height, power locks, trunk locks, remote start, moon roof, sunroof, sun shade, keyless entry, voice activation, phone pairing technology, wireless connectivity, steering wheel controls, camera systems, park assist, cruise control, and automated exterior lighting); determine needed repairs.

A6 TASK LIST (CONTINUED)

4. Inspect, test, repair and/or replace components, connectors, terminals, and wiring of comfort and convenience accessories.
5. Diagnose operation of heated and cooled accessories and related circuits (such as: heated/cooled seats, heated steering wheel, heated mirror, heated glass, and heated/cooled cup holders); determine needed repairs.
6. Inspect, test, repair and/or replace components, connectors, terminals, and wiring of heated and cooled accessories.
7. Diagnose operation of security/anti-theft systems and related circuits (such as: theft deterrent, door locks, keyless entry, remote start, and starter/fuel disable); determine needed repairs.
8. Inspect, test, repair and/or replace components, connectors, terminals, and wiring of security/anti-theft systems.
9. Diagnose operation of safety systems and related circuits (such as: supplemental restraint systems, wipers, washers, horn, speed control, collision mitigation, telematics, head-up display, park assist, and camera systems); determine needed repairs.
10. Inspect, test, repair and/or replace components, connectors, terminals, and wiring of safety systems. □

SAMPLE QUESTIONS

ELECTRICAL/ELECTRONIC SYSTEMS (TEST A6)



1. In the charging system shown, with the engine running, the digital multimeter (DMM) will display:

- (A) charging output voltage.
- (B) regulator operating voltage.
- * (C) charging circuit voltage drop.
- (D) ground circuit voltage drop.

2. The oil pressure light stays on whenever the engine is running. The oil pressure has been checked and is at specification.

Technician A says that a ground in the circuit between the indicator light and the pressure switch could be the cause.

Technician B says that an open in the pressure switch could be the cause.

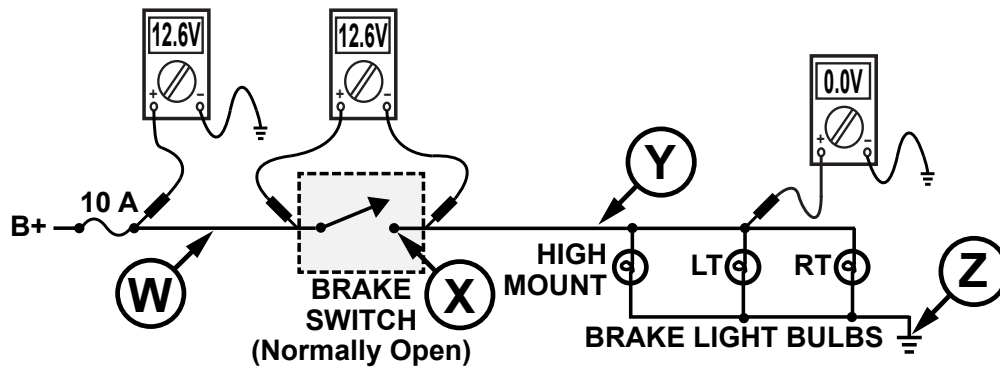
Who is right?

- * (A) A only
- (B) B only
- (C) Both A and B
- (D) Neither A nor B

3. The passenger side power window operates properly when using the passenger side control switch, but the window will operate in the DOWN position only when using the driver's side master control switch. Which of these could be the cause?

- (A) A pinched wire from the passenger side control switch to the window motor
- (B) An open wire to the driver's side window motor
- (C) A grounded power wire to the power window circuit breaker
- * (D) An open circuit in the driver's side master control switch

A6 SAMPLE QUESTIONS (CONTINUED)



4. The brake lights are not working on the vehicle with the circuit shown. With the brake pedal pressed, the technician observes the DMM readings shown. Which of these could be the cause?

- (A) High resistance at W
- * (B) An open circuit at X
- (C) A short-to-ground at Y
- (D) An open circuit at Z

5. Technician A says that if a fusible link in the alternator charging circuit is replaced with system sized wire, the circuit will be unprotected.

Technician B says that if a fusible link in the alternator charging circuit is replaced with system sized wire, the battery will overcharge.

Who is right?

- * (A) A only
- (B) B only
- (C) Both A and B
- (D) Neither A nor B

6. A starter solenoid clicks but the starter does not crank the engine.

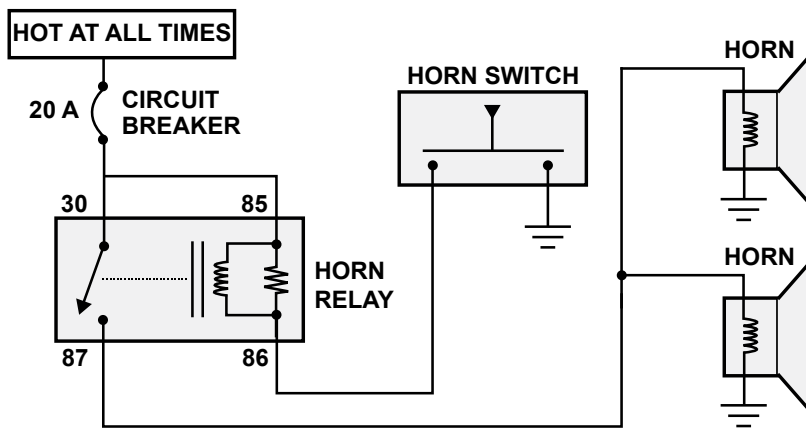
Technician A says that burned solenoid contacts could be the cause.

Technician B says that a poor battery cable connection could be the cause.

Who is right?

- (A) A only
- (B) B only
- * (C) Both A and B
- (D) Neither A nor B

A6 SAMPLE QUESTIONS (CONTINUED)



7. The horns in the circuit shown operate only when a jumper wire is connected between terminals 30 and 87 of the horn relay.

Technician A says that a failed horn relay could be the cause.

Technician B says that a short-to-ground in the circuit between the horn relay and the horn switch could be the cause.

Who is right?

- * (A) A only
 (B) B only
 (C) Both A and B
 (D) Neither A nor B
8. Which of these digital multimeter (DMM) readings indicates a current flow of 3 amps in a circuit?
- (A) 300 microamps
 (B) 3.0 milliamps
 * (C) 3000 milliamps
 (D) 0.3 amps

This question contains the word EXCEPT. Read the question carefully before choosing your answer.

9. Any of these could cause high starter current draw EXCEPT:
- (A) worn starter bushings.
 * (B) a failed starter relay.
 (C) grounded field coils.
 (D) a seized A/C compressor.

TEST SPECIFICATIONS AND TASK LIST HEATING AND AIR CONDITIONING (TEST A7)

Note: ASE HVAC certifications (A7, T7, H7 or S7) do not provide the necessary credentials to satisfy EPA requirements for Section 609 refrigerant management. The ASE Refrigerant Recovery and Recycling Review and Quiz program meets Section 609 requirements and can be taken online and in print. Details are at www.ase.com/cfc.

Content Area	Questions in Test	Percentage of Test
A. Heating, Ventilation, A/C (HVAC), and Engine Cooling System Service, Diagnosis, and Repair	21	30%
B. Refrigeration System Component Diagnosis and Repair	10	30%
C. Operating Systems and Related Controls Diagnosis and Repair	19	28%
Total	40	100%

A. Heating, Ventilation, A/C (HVAC), and Engine Cooling System Service, Diagnosis, and Repair (21 questions)

1. Identify system type and conduct performance test on the HVAC system; determine needed repairs.
2. Diagnose HVAC system problems indicated by system pressures and/or temperature (contact, non-contact, thermal imaging) readings; determine needed repairs.
3. Diagnose HVAC system problems indicated by sight, sound, smell, and touch procedures; determine needed repairs.
4. Leak test A/C system (dye and/or electronic); determine needed repairs.
5. Identify A/C system refrigerant type (R-12/ R-134a/ R-1234yf) and existing charge amount; recover refrigerant.
6. Evacuate A/C system.
7. Inspect and test A/C system components for contamination; flush or replace as needed.
8. Charge A/C system with appropriate refrigerant.
9. Identify A/C system lubricant type and capacity; replenish lubricant if necessary.
10. Inspect and replace passenger compartment (cabin air, pollen) filter.
11. Disarm and enable the airbag system for vehicle service following manufacturers' recommended procedures.
12. Read diagnostic trouble codes (DTCs) and interpret scan tool data stream.
13. Read and interpret technical literature (service publications, bulletins, recalls, and information including wiring schematics).
14. Use a scan tool, digital multimeter (DMM), or digital storage oscilloscope (DSO) to test HVAC system sensors, actuators, circuits, and control modules; determine needed repairs.
15. Verify proper operation of certified equipment.
16. Recycle or properly dispose of refrigerant.
17. Label and store refrigerant.
18. Test refrigerant cylinders for non-condensable gases; identify refrigerant.

A7 TASK LIST (CONTINUED)

19. Identify the procedures and equipment necessary to service, diagnose, and repair A/C systems in hybrid/electric vehicles.
20. Diagnose the cause of temperature control problems in the heater/ventilation system; determine needed repairs.
21. Diagnose window fogging problems; determine needed repairs.
22. Perform engine cooling system tests (flow, pressure, electrolysis, concentration, and contamination); determine needed repairs.
23. Inspect and replace engine coolant hoses and pipes.
24. Inspect, test, and replace radiator, pressure cap, coolant recovery system, and water/coolant pump (conventional/electronically controlled) .
25. Inspect, test, and replace thermostat(s) (conventional/electronically controlled), engine temperature control valve, thermostat bypass, and housings.
26. Identify, inspect, recover coolant; flush and refill system with proper coolant; bleed system as necessary.
27. Inspect, test, and replace fan (electrical/mechanical/viscous/hydraulic), fan clutch, fan belts, fan shroud, active grille shutters, and air dams.
28. Inspect, test, and replace heater coolant control valve (manual, vacuum, and electrical types) and auxiliary coolant pump.
29. Inspect, flush, and replace heater core.
30. Inspect, test, and replace alternate thermoelectric heating/cooling sources (including positive temperature coefficient (PTC) devices, duct heaters, steering wheel heaters, seat heaters/coolers, etc.).

B. Refrigeration System Component Diagnosis and Repair (10 questions)

► Compressor and Clutch

1. Diagnose A/C system problems that cause the protection devices (pressure, thermal, and electronic controls) to interrupt system operation; determine needed repairs.
2. Inspect, test, and replace A/C system pressure, thermal, and electronic protection devices.
3. Inspect, adjust, and replace A/C compressor drive belts, pulleys, and tensioners.
4. Identify compressor drive type (clutch/clutchless). Inspect, test, service, and replace A/C compressor clutch components, assemblies, or breakaway hubs.
5. Identify required lubricant type; inspect and correct level in A/C compressor.
6. Inspect, test, service or replace A/C compressor, mounting, and fasteners.
7. Inspect, test, service, and replace compressor displacement control components.

► Evaporator, Condenser, and Related Components

8. Inspect, repair, or replace A/C system mufflers, hoses, lines, filters, fittings, and seals.
9. Inspect A/C condenser for proper air flow.
10. Inspect, test, externally clean, or replace A/C system condenser; check mountings and air seals/dams/shutters.
11. Inspect and replace receiver/drier (including integral receiver/drier), accumulator/drier, or desiccant.
12. Inspect, test, and replace expansion valve(s) (mechanical and electronic).
13. Inspect and replace orifice tube(s).
14. Inspect A/C evaporator for proper air flow.
15. Inspect, test, externally clean, or replace evaporator(s).
16. Inspect, clean, and repair evaporator housing and water drain.
17. Inspect, test, and replace evaporator pressure/temperature control systems and devices.
18. Identify, inspect, and replace A/C system service valves and valve caps.
19. Inspect and replace A/C system high pressure relief device.
20. Identify, inspect, test, and replace internal heat exchanger (IHX).

C. Operating Systems and Related Controls Diagnosis and Repair (19 questions)

► Electrical

1. Diagnose the cause of failures in the electrical control system of heating, ventilating, and A/C (HVAC) systems; determine needed repairs.

A7 TASK LIST (CONTINUED)

2. Inspect, test, repair, and replace HVAC heater blower motors, blower motor speed controls, resistors, switches, relays/modules, wiring, and protection devices.
3. Inspect, test, repair, and replace A/C compressor clutch coil, relay/ modules, wiring, sensors, switches, diodes, and protection devices.
4. Inspect, test, repair, and replace A/C-related vehicle control systems and components.
5. Inspect, test, repair, and replace load sensitive A/C compressor control systems.
6. Inspect, test, repair, and replace engine cooling/condenser fan motors, relays/modules, switches, sensors, wiring, and protection devices.
7. Inspect, test, adjust, repair, and replace climate control system electric actuator motors, relays/ modules, switches, sensors, wiring, and protection devices (including dual/multi-zone systems); calibrate, program, code, or initialize as required.
8. Inspect, test, service, or replace HVAC user controls/interfaces.

► Vacuum/Mechanical

9. Diagnose the cause of failures of the heating, ventilating, and A/C (HVAC) vacuum and mechanical control systems; determine needed repairs.
10. Inspect, test, service, or replace HVAC user controls/interfaces.
11. Inspect, test, adjust, and replace HVAC control cables and linkages.
12. Inspect, test, and replace HVAC vacuum system actuators (diaphragms/motors), hoses, reservoir(s), check valve(s), and restrictors.
13. Inspect, test, adjust, repair, or replace HVAC ducts, doors, and outlets (including dual/multi-zone systems).

► Automatic and Semi-Automatic Heating, Ventilating, and A/C Systems

14. Diagnose temperature control system problems; determine needed repairs (including dual/multi-zone systems).
15. Diagnose blower system problems; determine needed repairs (including dual/multi-zone systems).
16. Diagnose air distribution system problems; determine needed repairs (including dual/multi-zone systems).
17. Diagnose compressor clutch control system; determine needed repairs.
18. Inspect, test, or replace climate and blower control sensors.
19. Inspect, test, and replace door actuator(s).
20. Inspect, test, and replace heater coolant control valve and controls.
21. Inspect, test, and replace electric and vacuum motors, solenoids, and switches.
22. Inspect, test, or replace automatic temperature control (ATC) user controls/interfaces and/or climate control computer/module; program, code, or initialize as required.
23. Check and adjust calibration of automatic temperature control (ATC) system.
24. Diagnose data communication issues, including diagnostic trouble codes (DTCs) that affect climate control system operation. □

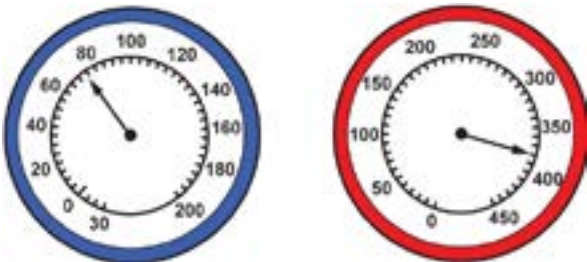
SAMPLE QUESTIONS

HEATING AND AIR CONDITIONING (TEST A7)

1. Prior to recovery, an unknown refrigerant is identified. The technician should:
 - (A) discharge it into the atmosphere.
 - * (B) recover it and treat it as contaminated.
 - (C) recover it and recycle it as R-12.
 - (D) recover it and recycle it as R-134a.

2. A vehicle with automatic temperature control blows hot air on HIGH fan speed from the dash vents with the temperature set to 72° F. Which of these could be the cause?
 - (A) A shorted blower motor resistor
 - (B) A restricted receiver/drier
 - (C) A weak serpentine belt tensioner
 - * (D) An open duct temperature sensor

3. Technician A says that evacuating an A/C system will remove air and moisture from the system. Technician B says that evacuating an A/C system will remove dirt particles from the system. Who is right?
 - * (A) A only
 - (B) B only
 - (C) Both A and B
 - (D) Neither A nor B



4. The A/C system is blowing warm air on a vehicle equipped with an R-1234yf system. During a performance test, the system pressures shown were observed with ambient temperature at 85°F (29°C). Which of these could be the cause?
 - (A) A stuck-closed thermal expansion valve (TXV)
 - (B) A stuck-open thermal expansion valve (TXV)
 - (C) A collapsed suction hose
 - (D) A failed viscous fan clutch

A7 SAMPLE QUESTIONS (CONTINUED)

5. To charge an A/C system while it is running, the refrigerant should be added to:
- (A) the high side only.
 - * (B) the low side only.
 - (C) both the high and the low sides.
 - (D) either the high or the low side.
6. With the A/C system operating at an ambient (outside) temperature of 85° F, the low pressure gauge reads 5 psi and the high pressure gauge reads 105 psi. What do these readings indicate?
- (A) Normal operation
 - * (B) Low refrigerant level
 - (C) A restriction in the high side
 - (D) Broken compressor reed valves
7. With a DMM connected between the battery negative terminal and the A/C clutch coil positive terminal, the DMM measures 14.2 volts, but the A/C clutch will not engage.
- Technician A says that a failed clutch coil could be the cause.
- Technician B says that a failed clutch coil diode could be the cause.
- Who is right?
- * (A) A only
 - (B) B only
 - (C) Both A and B
 - (D) Neither A nor B

This question contains the word EXCEPT. Read the question carefully before choosing your answer.

8. The high-side pressure in an A/C system is above specs. Any of these could be the cause EXCEPT:
- (A) an overcharge of refrigerant.
 - (B) a restricted air flow across the condenser.
 - (C) a plugged expansion valve.
 - * (D) a broken compressor reed valve.

TEST SPECIFICATIONS AND TASK LIST ENGINE PERFORMANCE (TEST A8)

Content Area	Questions in Test	Percentage of Test
A. General Diagnosis	12	24%
B. Ignition System Diagnosis and Repair	8	16%
C. Fuel, Air Induction and Exhaust Systems Diagnosis and Repair	9	18%
D. Emissions Control Systems Diagnosis and Repair	8	16%
1. Positive Crankcase Ventilation (1)		
2. Exhaust Gas Recirculation (2)		
3. Secondary Air Injection (AIR) and Catalytic Converter (2)		
4. Evaporative Emissions Controls (3)		
E. Computerized Engine Controls Diagnosis and Repair	13	26%
Total	50	100%

A. General Diagnosis (12 questions)

1. Verify driver's complaint, perform visual inspection, and/or road test vehicle; determine needed action.
2. Research applicable vehicle and service information, such as: engine management system operation, vehicle service history, service precautions, technical service bulletins, and service campaigns/recalls.
3. Diagnose base engine mechanical problems; determine needed action.
4. Diagnose noise and/or vibration problems; determine needed action.
5. Diagnose the cause of unusual exhaust color, odor, and sound; determine needed action.
6. Perform engine manifold vacuum or pressure tests; determine needed action.
7. Perform cylinder power balance test; determine needed action.
8. Perform cylinder cranking, relative, and running compression tests; interpret test results; determine needed action.
9. Perform cylinder leakage/leak-down test; determine needed action.
10. Diagnose engine mechanical, electrical, electronic, fuel, and ignition problems with an oscilloscope, engine analyzer, and/or scan tool; determine needed action.
11. Verify valve adjustment on engines with mechanical or hydraulic lifters.
12. Verify camshaft timing; verify operation of camshaft timing components, including engines equipped with variable valve timing (VVT) and variable valve lift (VVL); determine needed action.
13. Diagnose emissions or driveability problems caused by oil-related issues such as: incorrect pressure, poor quality, incorrect level, or incorrect type used for the application.
14. Verify engine operating temperature; check coolant level and condition; perform cooling system pressure test; determine needed action.
15. Inspect and test mechanically/hydraulically/electronically operated fans, fan clutch, fan shroud/ducting, active grille air flow control systems, and fan control devices; determine needed action.
16. Read and interpret electrical schematic diagrams and symbols.

A8 TASK LIST (CONTINUED)

17. Test and diagnose emissions or driveability problems caused by battery condition, connections, or excessive key-off battery drain; determine needed action.
18. Test and diagnose engine performance problems resulting from starting system failures; determine needed action.
19. Perform starter current draw test; determine needed action.
20. Perform starter and charging circuit voltage drop tests; determine needed action.
21. Test and diagnose engine performance problems resulting from charging system failures; determine needed action.
22. Inspect, adjust, and replace alternator (generator) drive belts, pulleys, clutches, tensioners, and/or fans.
23. Inspect, test, and repair or replace components, connectors, and wires in the starter and charging control circuits.

B. Ignition System Diagnosis and Repair (8 questions)

1. Diagnose ignition system-related problems such as: no starting, hard starting, engine misfire, poor driveability, spark knock, power loss, poor mileage, and emissions problems; determine root cause; determine needed action.
2. Interpret ignition system-related diagnostic trouble codes (DTCs); determine needed action.
3. Inspect, test, service, repair, or replace ignition system primary circuit wiring and components.
4. Inspect, test, service, repair, or replace ignition system secondary circuit wiring and components.
5. Inspect, test, and replace ignition coil(s).
6. Inspect, test, and replace ignition system sensors; adjust as necessary.
7. Inspect, test, and/or replace ignition control module (ICM) and/or powertrain/engine control module (PCM/ECM); program, reprogram, code, initialize, and/or setup as needed.

C. Fuel, Air Induction and Exhaust System Diagnosis and Repair (9 questions)

NOTE: Fuel injection system diagnosis and repair will include vehicles equipped with multiport, gasoline direct injection (GDI), or a combination of both systems. These systems may be either speed density, based on rpm and manifold absolute pressure (MAP), or mass airflow (MAF). When appropriate, the fuel system type will be identified in the ASE test question.

1. Diagnose fuel system-related problems, such as: hot or cold no starting, hard starting, poor driveability, incorrect idle speed, poor idle, incorrectly delivered air/fuel ratio, hesitation, surging, engine misfire, power loss, stalling, poor mileage, and emissions problems; determine root cause; determine needed action.
2. Interpret fuel or air induction system-related diagnostic trouble codes (DTCs); analyze fuel trim and other scan tool data; determine needed action.
3. Inspect fuel tank, filler neck, and fuel cap; inspect and replace fuel lines, fittings, and hoses; determine needed action.
4. Inspect, test, and replace fuel pump(s) and/or fuel pump assembly; inspect, service, and replace fuel filter(s).
5. Inspect and test fuel pump control circuits and components; determine needed action.
6. Inspect, test, and repair or replace fuel pressure regulation system and components of fuel injection systems; check fuel for contaminants, composition, and quality; perform fuel pressure/volume test.
7. Inspect, test, service and/or replace throttle assembly; make related adjustments and/or perform initialization or relearn procedure as required.
8. Inspect, test, clean, and replace fuel injectors, high-pressure lines, and fuel rails.
9. Inspect, service, and repair or replace air filtration system components.
10. Remove, clean, inspect, test, and repair or replace throttle assembly, vacuum pump(s), air induction system, variable intake runners, intake manifold, and gaskets.
11. Diagnose air induction system for air/vacuum leaks, restrictions, and/or unmetered air.
12. Inspect, service, and replace exhaust manifold, exhaust pipes, oxygen sensors, air/fuel ratio sensors, mufflers, catalytic converters, resonators, tailpipes, and heat shields.
13. Test for exhaust system restriction or leaks; determine needed action.
14. Inspect, test, clean, and repair/replace turbocharger, supercharger, and related system components.

A8 TASK LIST (CONTINUED)

D. Emissions Control Systems Diagnosis and Repair (8 questions)

1. Positive Crankcase Ventilation (1 question)

1. Test and diagnose emissions or driveability problems caused by faults in the positive crankcase ventilation (PCV) system.
2. Inspect, test, service, repair, and replace positive crankcase ventilation (PCV) filter, valve, oil separator, orifice/metering device, and hoses.

2. Exhaust Gas Recirculation (2 questions)

1. Test and diagnose driveability problems caused by faults in the exhaust gas recirculation (EGR) system.
2. Interpret exhaust gas recirculation (EGR)-related scan tool data and diagnostic trouble codes (DTCs); determine needed action.
3. Inspect, test, service, repair, and replace components of the exhaust gas recirculation (EGR) system, including EGR valve, tubing, passages, vacuum/pressure controls, filters, hoses, coolers, electrical/electronic sensors, controls, solenoids and wiring.

3. Secondary Air Injection (AIR) and Catalytic Converter (2 questions)

1. Test and diagnose emissions or driveability problems caused by faults in the secondary air injection or catalytic converter systems.
2. Interpret secondary air injection system-related scan tool data and diagnostic trouble codes (DTCs); determine needed action.
3. Inspect, test, service, repair, and replace mechanical components and electrical/electronic components and circuits of secondary air injection systems.
4. Inspect catalytic converter. Interpret catalytic converter-related diagnostic trouble codes (DTCs); analyze related scan tool data to determine root cause of DTCs; determine needed action.

4. Evaporative Emissions Controls (3 questions)

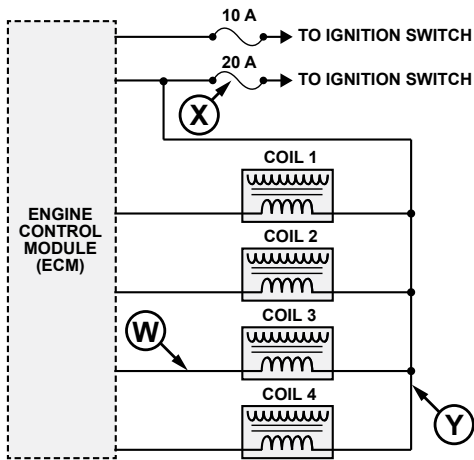
1. Test and diagnose emissions or driveability problems caused by faults in the evaporative emissions control system.
2. Interpret evaporative emissions-related scan tool data and diagnostic trouble codes (DTCs); determine needed action.
3. Inspect, test, service, repair, and replace canister, lines/hoses, filters, mechanical and electrical components of the evaporative emissions control system.

E. Computerized Engine Controls Diagnosis and Repair (13 questions)

1. Retrieve and record diagnostic trouble codes (DTCs), OBD II monitor status and freeze frame data.
2. Research OBD II system operation; determine enable criteria for setting and clearing diagnostic trouble codes (DTCs) including permanent DTCs; determine malfunction indicator lamp (MIL) operation.
3. Diagnose the causes of emissions or driveability problems with stored or active diagnostic trouble codes (DTCs).
4. Diagnose the causes of emissions or driveability problems without diagnostic trouble codes (DTCs).
5. Use a scan tool, digital multimeter (DMM), or digital storage oscilloscope (DSO) to inspect or test computerized engine control system sensors, actuators, circuits, and powertrain/engine control module (PCM/ECM); determine needed action.
6. Measure and interpret voltage, voltage drop, amperage, and resistance using digital multimeter (DMM) readings.
7. Test, remove, inspect, clean, service, and repair or replace voltage supply and ground distribution circuits and connections.
8. Inspect, test, and/or replace powertrain/engine control module (PCM/ECM); program, reprogram, code, initialize, and/or setup as needed.
9. Diagnose driveability and emissions problems resulting from failures of interrelated systems (for example: cruise control, security alarms/theft deterrent, torque controls, traction controls, torque management, A/C, non-OEM installed accessories).
10. Diagnose failures in the data communications bus network; determine needed repairs.
11. Clear diagnostic trouble codes (DTCs), run all OBD II monitors, and verify the repair. □

SAMPLE QUESTIONS

ENGINE PERFORMANCE (TEST A8)



- An engine equipped with the ignition system shown is misfiring. Which of these could be the cause?
 - * (A) High resistance at W
 - (B) An open fuse at X
 - (C) A short-to-ground at Y
 - (D) An open crankshaft position sensor circuit

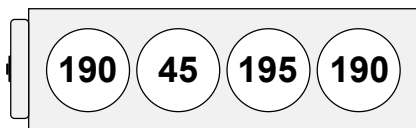
- While the engine is running, a technician pulls the PCV valve out of the valve cover and plugs the valve opening. There are no changes in engine operation.

Technician A says that the PCV valve could be stuck in the open position.

Technician B says that the hose between the intake manifold and the PCV valve could be plugged.

Who is right?

 - (A) A only
 - (B) B only
 - (C) Both A and B
 - (D) Neither A nor B



Compression Specification
190 psi

- After the compression readings shown in the illustration were taken, a wet compression test is made. The second set of readings is almost the same as the first.

Technician A says that a burned valve could cause these readings.

Technician B says that a broken piston ring could cause these readings.

Who is right?

 - * (A) A only
 - (B) B only
 - (C) Both A and B
 - (D) Neither A nor B

A8 SAMPLE QUESTIONS (CONTINUED)

4. Blue smoke comes from the exhaust pipe of a vehicle.

Technician A says that blocked cylinder head oil return passages could be the cause.

Technician B says that a stuck-open engine thermostat could be the cause.

Who is right?

- * (A) A only
- (B) B only
- (C) Both A and B
- (D) Neither A nor B

5. The malfunction indicator light (MIL) is illuminated on a vehicle and a “Coolant Thermostat (Coolant Temperature Below Thermostat Regulating Temperature)” DTC is stored. The cause could be:

- (A) restricted radiator coolant flow.
- (B) restricted A/C condenser airflow.
- * (C) a stuck-open engine coolant thermostat.
- (D) a stuck-closed engine coolant thermostat.

6. A vacuum gauge is connected to the intake manifold of an engine. With the engine running at 2,000 rpm, the pointer on the gauge fluctuates rapidly between 10 and 22 in.Hg. The cause could be:

- (A) a leaking intake manifold gasket.
- (B) worn piston rings.
- (C) worn valve guides.
- * (D) a broken valve spring.

7. The technician finds no spark and no injector pulses on an engine that will not start. The cause could be a failed:

- (A) mass airflow (MAF) sensor.
- * (B) crankshaft position (CKP) sensor.
- (C) brake pedal position (BPP) sensor.
- (D) fuel pump (FP) module.

8. On an engine equipped with a returnless-type electronic fuel injection (EFI) system, the fuel pressure at the fuel rail is above specification. Which of these could be the cause?

- * (A) A failed fuel pressure regulator
- (B) A leaking fuel pump check valve
- (C) A plugged fuel injector
- (D) A restricted fuel filter

A8 SAMPLE QUESTIONS (CONTINUED)

9. A vehicle has a stored "EVAP System Small Leak Detected" DTC. Which of these could be the cause?
- (A) An open fuel tank pressure sensor circuit
 - (B) A restricted EVAP canister vent valve
 - (C) A stuck-closed EVAP purge valve
 - * (D) A torn O-ring on the fuel cap

This question contains the word EXCEPT. Read the question carefully before choosing your answer.

10. Any of these could cause an "Exhaust Gas Recirculation (EGR) - Insufficient Flow Detected" DTC EXCEPT:
- (A) an exhaust leak.
 - * (B) a stuck-open EGR valve.
 - (C) a restricted EGR port.
 - (D) an electrically open EGR solenoid.

TEST SPECIFICATIONS AND TASK LIST LIGHT VEHICLE DIESEL ENGINES (TEST A9)

Content Area	Questions in Test	Percentage of Test
A. General Diagnosis	9	18%
B. Cylinder Head and Valve Train Diagnosis and Repair	5	10%
C. Engine Block Diagnosis and Repair	5	10%
D. Lubrication and Cooling Systems Diagnosis and Repair	6	12%
E. Air Induction and Exhaust Systems Diagnosis and Repair	12	24%
F. Fuel System Diagnosis and Repair	13	26%
Total	50	100%

A. General Diagnosis (9 questions)

1. Verify the complaint, and road/dyno test vehicle; review driver/customer concerns/expectations and vehicle service history (if available); determine further diagnosis.
2. Record vehicle identification number (VIN). Identify engine model, calibration and serial numbers to research applicable vehicle and service information, service precautions, and technical service bulletins; determine needed actions.
3. Perform scan tool check and visual inspection for physical damage and missing, modified, or tampered components; determine needed actions.
4. Check and record electronic diagnostic codes, freeze frame and/or operational data; monitor scan tool data; determine further diagnosis.
5. Clear diagnostic trouble codes (DTCs) and verify the repair.
6. Inspect engine assembly and compartment for fuel, oil, coolant, exhaust, or other leaks; determine needed repairs.
7. Inspect engine compartment wiring harness, connectors, seals, and locks; check for proper routing and condition; determine needed repairs.
8. Listen for and isolate engine noises; determine needed repairs.
9. Isolate and diagnose engine related vibration problems; determine needed actions.
10. Check engine exhaust for abnormal odor and/or smoke color and volume; determine further diagnosis.
11. Check fuel for contamination, quantity, quality, and consumption; determine needed actions.
12. Perform crankcase pressure test; determine further diagnosis.
13. Diagnose surging, rough operation, misfiring, low power, slow deceleration, slow acceleration, and shutdown problems; determine needed actions.
14. Check cooling system for freeze point, level, contamination, condition, temperature, pressure, circulation, and fan operation; determine needed repairs.
15. Check lubrication system for contamination, oil level, temperature, pressure, filtration, and oil consumption; take oil sample and obtain oil analysis if needed; determine needed repairs.
16. Diagnose no-cranking, cranks but fails to start, hard starting, and starts but does not continue to run problems; determine needed actions.

A9 TASK LIST (CONTINUED)

17. Diagnose engine problems caused by battery condition, connections, or excessive key-off battery drain; determine needed repairs.
18. Diagnose engine problems resulting from an electrical undercharge, overcharge, or a no-charge condition; determine needed action.

B. Cylinder Head and Valve Train Diagnosis and Repair (5 questions)

1. Remove, inspect, disassemble, and clean cylinder head assembly(s).
2. Inspect threaded holes, studs, and bolts for serviceability; service/replace as needed.
3. Measure cylinder head thickness, and check mating surfaces for flatness, corrosion, warpage and surface finish; inspect for cracks/damage; check condition of passages; inspect core and gallery plugs; determine serviceability and needed repairs.
4. Inspect valves, guides, seats, springs, retainers, rotators, locks and seals; determine serviceability and needed repairs.
5. Inspect and/or replace injector sleeves, glow plug sleeves, and seals; pressure test to verify repair (if applicable); measure injector tip, nozzle, or prechamber protrusion where specified by manufacturer.
6. Inspect, and/or replace valve bridges (crossheads) and guides; adjust bridges (crossheads) if applicable.
7. Reassemble, check, and determine required cylinder head gasket thickness; install cylinder head assembly and gasket as specified by the manufacturer.
8. Inspect pushrods, rocker arms, rocker arm shafts, electronic components, wiring harness, seals; repair/replace as needed.
9. Inspect, install, and adjust cam followers, lash adjusters and retainers; adjust valve clearance if applicable.
10. Inspect, measure, and replace/reinstall overhead camshaft and bearings; measure and adjust endplay.
11. Inspect and time drive gear train components (includes gear, chain, and belt systems).

C. Engine Block Diagnosis and Repair (5 questions)

1. Remove, inspect, service, and install pans, covers, ventilation systems, gaskets, seals, and wear rings.
2. Disassemble, clean and inspect engine block for cracks; check mating surfaces and related components for damage or warpage and surface finish; check deck height; check condition of passages, core, and gallery plugs; inspect threaded holes, studs, dowel pins and bolts for serviceability; service/replace as needed.
3. Inspect and measure cylinder walls for wear and damage; determine needed service.
4. Inspect in-block camshaft bearings for wear and damage; replace as needed.
5. Inspect, measure, and replace/reinstall in-block camshaft; measure and correct end play; inspect, replace/reinstall, and adjust cam followers (if applicable).
6. Clean and inspect crankshaft and journals for surface finish, cracks, and damage; check condition of oil passages; check passage plugs; measure journal diameters; check mounting surfaces; determine needed service.
7. Determine the proper select-fit components such as pistons, connecting rod and main bearings.
8. Inspect and replace main bearings; check cap fit and bearing clearances; check and correct crankshaft end play.
9. Inspect, replace, verify, and adjust the drive gear train components (includes gear, chain, and belt systems).
10. Inspect, measure, or replace pistons, pins, and retainers.
11. Measure piston-to-cylinder wall clearance.
12. Identify piston, connecting rod bearing, and main bearing wear patterns that indicate connecting rod and crankshaft alignment or bearing bore problems; check bearing bore and bushing condition; determine needed repairs.
13. Check ring-to-groove fit and end gaps; install rings on pistons; assemble pistons and connecting rods and install in block; check piston height/protrusion; check liner height/protrusion (if applicable); replace rod bearings and check clearances; check condition, position, and clearance of piston cooling jets (nozzles).

A9 TASK LIST (CONTINUED)

14. Inspect crankshaft vibration damper; determine needed repairs.
15. Inspect flywheel/flexplate and/or dual-mass flywheel (including ring gear) and mounting surfaces for cracks, wear, and runout; determine needed repairs.

D. Lubrication and Cooling Systems Diagnosis and Repair (6 questions)

1. Verify base engine oil pressure and check operation of pressure sensor/switch and pressure gauge; verify engine oil temperature and check operation of temperature sensor.
2. Inspect, measure, repair/replace oil pump, housing, drives, pipes, and screens; check drive gear clearance.
3. Inspect, repair/replace oil pressure regulator assembly including: housing, bore, spring, regulator valve(s), oil filter by-pass valve(s), and anti-drain back valve.
4. Inspect, clean, test, and reinstall/replace oil cooler, by-pass valve, lines, and hoses.
5. Inspect turbocharger lubrication and cooling systems; repair/replace as needed.
6. Change engine oil and filters using proper type, viscosity, and rating per manufacturer specifications.
7. Inspect and reinstall/replace pulleys, tensioners, and drive belts; adjust drive belts and check alignment.
8. Verify coolant temperature; check operation of temperature and level sensors, switches, and temperature gauge.
9. Inspect and replace thermostat(s), by-pass(es), housing(s), and seal(s).
10. Flush and refill cooling system; following manufacturer's specification, add proper coolant type; bleed air from system.
11. Inspect and replace water pump(s), housing(s), hoses, and idler pulley(s) or drive gear.
12. Inspect radiator(s), pressure cap(s), and tank(s); pressure test cooling system and radiator cap(s); determine needed repairs.
13. Inspect and repair/replace cooling fan, fan hub, fan clutch, controls, and shroud(s).

E. Air Induction and Exhaust Systems Diagnosis and Repair (12 questions)

1. Inspect and service/replace air induction piping, air cleaner, and element; determine needed actions.
2. Perform intake manifold pressure tests; inspect, test, clean, and/or replace charge air cooler and piping system; determine needed actions.
3. Inspect test, and replace turbocharger(s) (including variable ratio/geometry VGT), pneumatic, hydraulic, vacuum, and electronic controls and actuators; inspect, test, and replace wastegate and wastegate controls.
4. Inspect, test, and replace intake manifold(s), variable intake manifold(s), gaskets, actuators, temperature and pressure sensors, and connections.
5. Perform exhaust back pressure and temperature tests; determine needed actions.
6. Inspect and repair/replace exhaust manifold(s), gaskets, piping, mufflers, and mounting hardware.
7. Inspect, test, and repair/replace preheater/inlet air heater and/or glow plug system and controls.
8. Inspect, test, and replace exhaust aftertreatment system components and controls, including diesel oxidation catalyst (DOC), selective catalyst reduction (SCR), diesel exhaust fluid (DEF), diesel particulate filter (DPF); check regeneration system operation.
9. Inspect, test, service, and replace EGR system components including EGR valve(s), EGR cooler by-pass valve(s), EGR cooler(s), piping, electronic sensors, actuators, controls, and wiring.
10. Inspect, test, and replace airflow control (throttle) valve(s) and controls.
11. Inspect, test, and replace crankcase ventilation system components, including sensors, filters, valves, and piping.

F. Fuel System Diagnosis and Repair (13 questions)

1. Inspect, clean, test, and repair/replace fuel system tanks, vents, caps, mounts, valves, single/dual supply and return lines, and fittings.
2. Inspect, clean, test, and repair/replace fuel transfer and/or supply pump, sensors, strainers, fuel/water separators/indicators, filters, heaters, coolers, ECM cooling plates (if applicable), and mounting hardware.
3. Check fuel system for air; determine needed repairs; prime and bleed fuel system; check and repair/replace primer pump.

A9 TASK LIST (CONTINUED)

4. Inspect, test, and repair/replace low fuel pressure regulator supply and return systems, including low pressure switches.
5. Inspect and reinstall/replace high-pressure injection lines, fittings, transfer tubes, seals, and mounting hardware.
6. Inspect, adjust, and repair/replace electronic throttle and PTO control devices, circuits, and sensors.
7. Perform on-engine inspections, tests, and replace high pressure common rail fuel system components and electronic controls.
8. Perform on-engine inspections and tests; replace hydraulic electronic unit injector(s) (HEUI) components and electronic controls.
9. Perform on-engine inspections and tests; replace pump-line-nozzle fuel system (PLN-E) components and electronic controls.
10. Perform on-engine inspections and tests; replace electronic unit injector(s) (EUI) components and electronic controls.
11. Inspect and replace electrical connector terminals, pins, harnesses, seals, and locks.
12. Connect diagnostic scan tool to vehicle/engine; access, verify and update software calibration settings, injector calibration codes; perform control module re-learn procedures as needed.
13. Use a diagnostic scan tool to inspect and test electronic engine control system, sensors, actuators, electronic control modules, and circuits; determine further diagnosis.
14. Measure and interpret voltage, voltage drop, amperage, and resistance readings using a digital multimeter (DMM) or appropriate test equipment.
15. Diagnose engine problems resulting from failures of interrelated systems (for example: cruise control, security alarms/theft deterrent, transmission controls, exhaust aftertreatment systems, electronic stability control, or non-OEM installed accessories). □

SAMPLE QUESTIONS

LIGHT VEHICLE DIESEL ENGINES (TEST A9)

1. An electronic diesel engine has an active diagnostic trouble code (DTC) for “Cylinder #3 Misfire” detected. This could be caused by:

- * (A) low compression in the #3 cylinder.
- (B) an open #3 cylinder glow plug.
- (C) a shorted #3 cylinder glow plug.
- (D) an incorrect fuel cetane rating.

2. A vehicle has low power under load. Which of these could be the cause?

- * (A) A leaking charge air cooler
- (B) A leak in the turbocharger inlet piping
- (C) Using an off road grade of fuel
- (D) An open in the mass airflow sensor circuit

3. A vehicle equipped with a HEUI fuel system is hard to start at engine temperatures lower than 35° F (1.7° C).

Technician A says that worn injectors could be the cause.

Technician B says that an open glow plug could be the cause.

Who is right?

- * (A) A only
- (B) B only
- (C) Both A and B
- (D) Neither A nor B

4. Technician A says that the vanes in a variable geometry turbo (VGT) system are closed at wide open throttle (WOT).

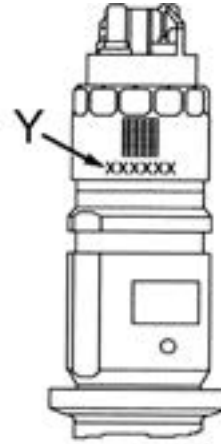
Technician B says that sticking vanes in a variable geometry turbo (VGT) system can be determined by observing the MAF sensor voltage readings on a scan tool.

Who is right?

- (A) A only
- (B) B only
- (C) Both A and B
- * (D) Neither A nor B

A9 SAMPLE QUESTIONS (CONTINUED)

5. An electronic fuel injector on a diesel engine with a high-pressure common rail injection system is being replaced. The information at point Y in the illustration shown indicates the injector:
- (A) bar code.
 - (B) maximum pressure rating.
 - (C) opening pressure.
 - * (D) calibration coding.



This question contains the word EXCEPT. Read the question carefully before choosing your answer.

6. A diesel engine has a serious vibration at idle. Any of these could be the cause EXCEPT:
- (A) a broken motor mount.
 - (B) misfiring cylinders.
 - (C) an incorrect idle speed.
 - * (D) a stuck-closed EGR valve.
7. A high pressure common rail (HPCR) equipped diesel engine is being diagnosed for a crank/no-start concern. During testing, a manual gauge is installed and low fuel rail pressure is observed. Which of these could be the cause?
- (A) A restricted injector tip
 - (B) An open injector control circuit
 - (C) An open fuel rail pressure sensor circuit
 - * (D) A failed fuel rail pressure control valve

TEST SPECIFICATIONS AND TASK LIST

EXHAUST SYSTEMS (TEST X1)

Content Area	Questions in Test	Percentage of Test
A. Exhaust System Inspection and Repair	11	28%
1. Inspection (6)		
2. Repair (5)		
B. Emissions Systems Diagnosis	8	20%
C. Exhaust System Fabrication	6	15%
1. Pipe Bending (3)		
2. Welding and Cutting (3)		
D. Exhaust System Installation	8	20%
E. Exhaust System Repair Regulations	7	18%
Total	50	100%

A. Exhaust System Inspection and Repair (11 questions)

1. Inspection (6 questions)

1. Inspect all exhaust system components for noises, rattles, missing parts, configuration, routing and integrity by visual, audible, and thump testing; determine needed repair.
2. Inspect exhaust system for leaks, restrictions, and overheating by visual, audible, back pressure, vacuum, and temperature testing; determine needed repair.
3. Inspect exhaust subsystems [air injection reactor (AIR), exhaust gas recirculation (EGR), oxygen sensor(s) (O2S/HO2S), air/fuel ratio (AFR) sensor(s), turbochargers] and mounting hardware; determine needed repair.
4. Identify emission systems configuration using the emissions label; visually inspect exhaust system for evidence of tampering (missing/modified and/or improperly installed components); determine needed repair.
5. Inspect exhaust system electrical components; determine needed repair.
6. Inspect engine/transmission mount condition and alignment; determine needed repair.

2. Repair (5 questions)

1. Repair or replace failed or damaged mufflers, pipes, and related components.
2. Repair or replace damaged catalytic converters.
3. Repair or replace exhaust manifolds.
4. Repair or replace exhaust system mounting hardware and related installation components.
5. Repair or replace exhaust subsystems [air injection reactor (AIR), exhaust gas recirculation (EGR), oxygen sensor (O2S/HO2S), air/fuel ratio (AFR) sensor(s), turbochargers] and mounting hardware.

B. Emissions Systems Diagnosis (8 questions)

1. Identify failed catalytic converter(s); determine cause of failure; determine needed repair.
2. Identify failed air injection reactor (AIR) system; determine cause of failure; determine needed repair.

X1 TASK LIST (CONTINUED)

3. Identify failed exhaust gas recirculation (EGR) system; determine cause of failure; determine needed repair.
4. Identify failed air/fuel ratio (AFR) sensor(s) and oxygen sensor(s)(O2S/HO2S) component(s) and circuitry; determine cause of failure; determine needed repair.
5. Inspect emission systems for evidence of tampering (missing/modified and/or improperly installed component) based on the configuration identified on the emission label; determine needed repair.

C. Exhaust System Fabrication (6 questions)

1. Pipe Bending (3 questions)

1. Determine bending method (program card, pattern/copy, or custom).
2. Determine center of bends, rotation of pipe, depth of bends, and pipe diameter(s); perform bending operation.
3. Perform end-forming/flaring and hardware installation operations.
4. Determine the cause of pipe material failures that occur during bending operations.

2. Welding and Cutting (3 questions)

1. Select appropriate welding method (gas or MIG); perform welding operation; verify integrity of weld.
2. Set up and adjust welding equipment to repair application; observe applicable personnel, vehicle, and equipment safety procedures.
3. Select appropriate cutting method (gas or mechanical); perform cutting operation.
4. Set up and adjust cutting equipment to repair application; observe applicable personnel, vehicle, and equipment safety procedures.

D. Exhaust System Installation (8 questions)

1. Identify exhaust system configuration and options according to manufacturer's specifications (routing, single/dual, etc).
2. Select components according to accepted standards regarding material, type, design, and size.
3. Install appropriate exhaust system components (mufflers, resonators, catalytic converters, pipes, and manifolds).
4. Install appropriate exhaust system hardware (clamps, hangers, gaskets, flanges, fasteners, and heat shields).
5. Inspect system for proper exhaust component clearance and routing.
6. Inspect system for proper exhaust component-to-component connection sealing.
7. Install exhaust subsystem components [air injection reactor (AIR), exhaust gas recirculation (EGR) valve, oxygen sensor(s) (O2S/HO2S), air/fuel ratio (AFR) sensor(s)].

E. Exhaust System Repair Regulations (7 questions)

Note: Federal EPA law establishes minimum compliance requirements for emission systems repair. States and local municipalities may institute requirements that exceed the Federal EPA requirements. Knowledge of the Federal EPA requirements will be addressed in the following tasks.

1. Comply with warranty and diagnostic requirements regarding permissible catalytic converter installations.
2. Comply with requirements regarding prohibited catalytic converter installations.
3. Comply with requirements regarding record keeping.
4. Comply with requirements regarding catalytic converter replacement, location, and type.
5. Comply with requirements regarding replacement of air injection reactor (AIR), exhaust gas recirculation (EGR), oxygen sensor (O2S/HO2S), air/fuel ratio (AFR) sensor, and turbocharger systems.
6. Comply with requirements regarding exhaust system configuration. □

SAMPLE QUESTIONS

EXHAUST SYSTEMS (TEST X1)

- Which of these could cause an exhaust manifold gasket to fail?
 - A failed AIR pump
 - * (B) A restricted exhaust system
 - (C) An inoperative converter
 - (D) A failed EGR valve

- Which of these repairs should be made on a vehicle with a cracked catalytic converter flange?
 - * (A) Repair or replace the flange.
 - (B) Replace the converter with a test pipe.
 - (C) Replace the lead pipe.
 - (D) Seal and clamp the connection.

- A visual inspection of a vehicle's catalytic converter reveals that the substrate (brick) has melted. Technician A says that a failed air/fuel ratio (AFR) sensor could be the cause. Technician B says that a misfiring spark plug could be the cause. Who is right?
 - (A) A only
 - (B) B only
 - * (C) Both A and B
 - (D) Neither A nor B

- To fit a 2 1/4" (57 mm) diameter pipe to fit over another 2 1/4" (57 mm) diameter pipe, a technician should expand the pipe to:
 - (A) 2 3/8" (60 mm) OD.
 - (B) 2 1/8" (54 mm) OD.
 - (C) 2 1/2" (64 mm) ID.
 - * (D) 2 1/4" (57 mm) ID.

- When performing a "converter-back" exhaust system installation, a technician should:
 - (A) replace all hangers.
 - * (B) check for proper clearances.
 - (C) weld each connection.
 - (D) test for proper backpressure.

X1 SAMPLE QUESTIONS (CONTINUED)

6. Technician A says that a broken transmission mount could cause the exhaust system to become misaligned.

Technician B says that a broken engine mount could cause the exhaust system to become misaligned.

Who is right?

(A) A only

* (C) Both A and B

(B) B only

(D) Neither A nor B

7. Which of these is an illegal procedure to perform on a catalytic converter equipped vehicle?

* (A) Install a test pipe in place of the converter.

(B) Install a muffler before the converter.

(C) Install a converter bolted directly to the exhaust manifold.

(D) Install a three-way converter in place of a two-way converter.

8. The flex pipe, located between the exhaust manifold and the catalytic converter, is broken. A flex pipe should be used as a replacement because it:

(A) strengthens the exhaust systems.

(B) quiets the exhaust system.

(C) helps to heat the converter.

* (D) allows for engine movement.

TEST PREP & TRAINING RESOURCES

Taking an ASE certification test doesn't have to be a high stress challenge. The ASE website contains test preparation and training information tailored to your specific needs. Visit www.ase.com and use the "Test Prep & Training" tab. We've loaded this section of our website with plenty of information to help boost both your knowledge and your confidence—two of your most important tools as a test-taker.

Official ASE Practice Tests

The easy way to try your hand at taking ASE-style certification exams, without the stress and high stakes of the real thing. www.ase.com/official-ase-practice-test-program.

Study Guides

Free, step-by-step guides to help you understand what's involved in each test—including sample questions and suggestions for further preparation. www.ase.com/ase-study-guides.

ASE Testing Demo

Are you new to ASE testing or has it been a few years? The demonstration at www.ase.com/free-test-drive will show you how the test platform works, so you'll feel right at home with the testing format.

Community Colleges and Technical Training Schools

Get instructor-led, hands-on training at schools accredited by the ASE Education Foundation. www.aseeducationfoundation.org/find-a-program.

ATMC for more training options

The ASE Training Managers Council is a professional organization of individuals responsible for the development and delivery of training in the auto and truck industries. The ATMC administers the ASE Accredited Training Provider of Continuing Automotive Service Education program. A list of ASE accredited training providers can be found at www.atmc.org.

Other test prep and training programs

Many test-takers have used aftermarket test prep and training programs and found them helpful. Please note that ASE has neither reviewed nor approved the content of these programs and providers.